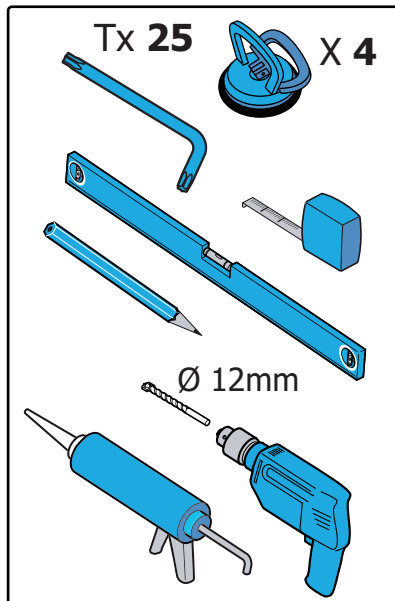
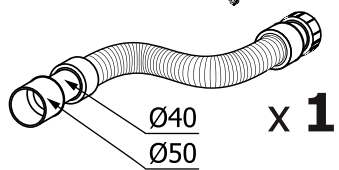
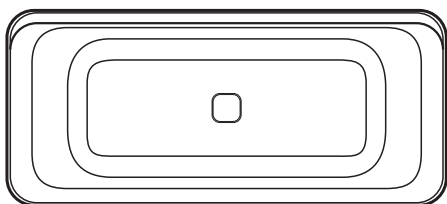
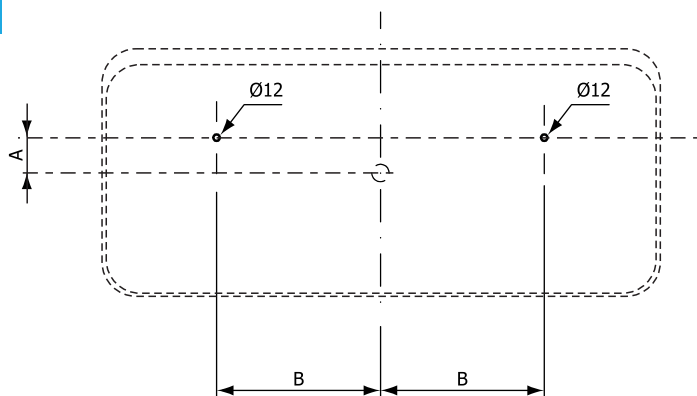


1

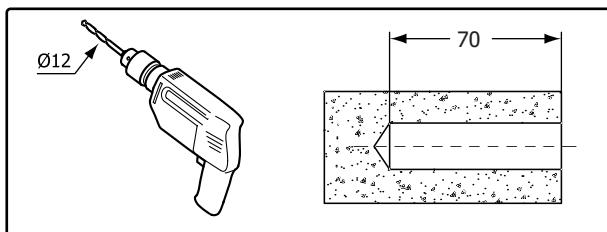
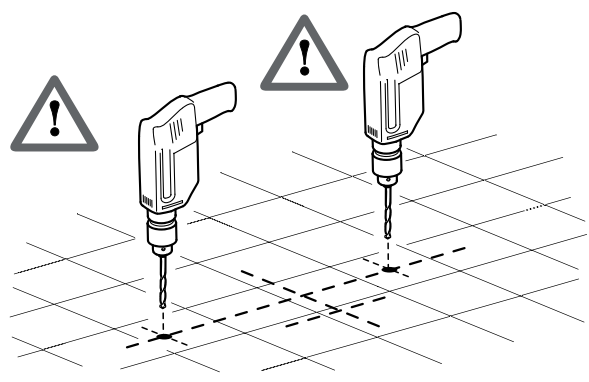
IMBALLO - COMPONENTS - EMBALLAGE - VERPACKUNG - EMBALAJE
 VERPAKKING - ΣΥΣΚΕΥΑΣΙΑΣ - УПАКОВОК - EMBALAŽE - PAKIRANJA



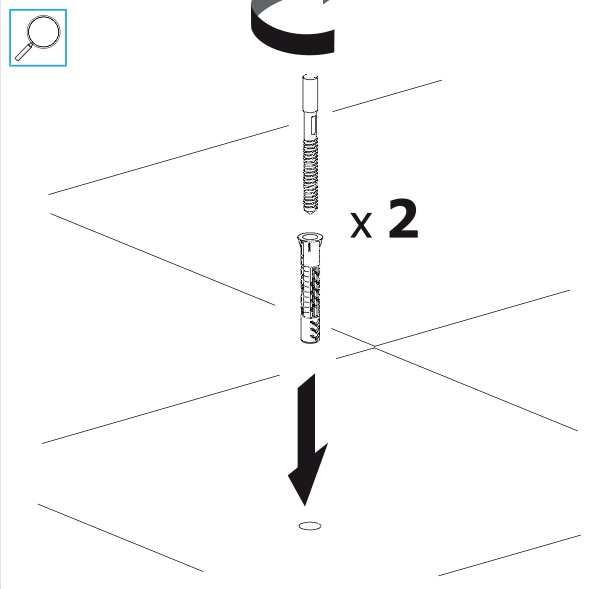
1



| Tonic II Freestanding | A | B |
|-----------------------|-----|-----|
| 180x80 | 165 | 650 |



2



2

