

Floor standing enclosures

Combinable and semi-compact version

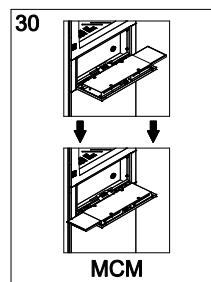
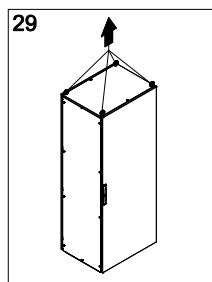
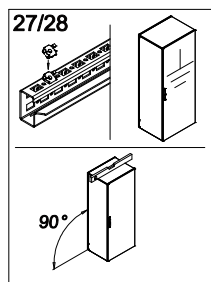
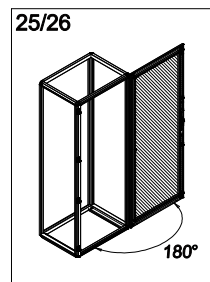
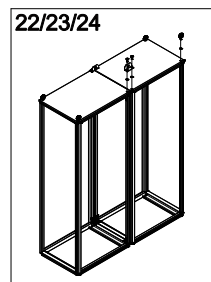
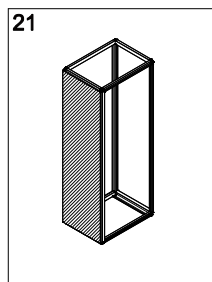
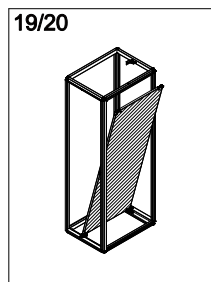
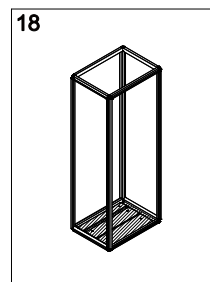
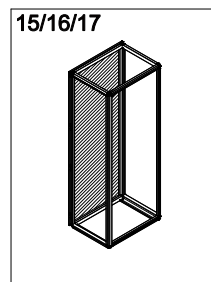
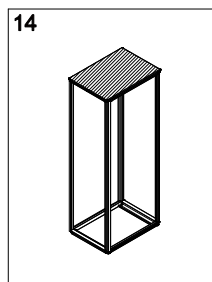
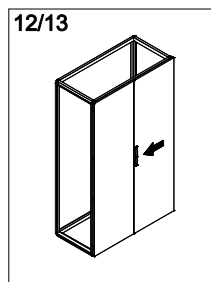
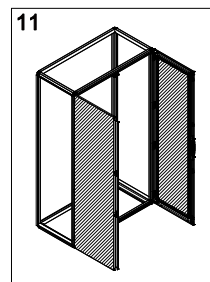
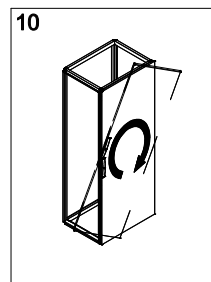
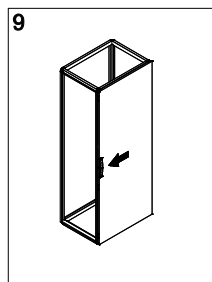
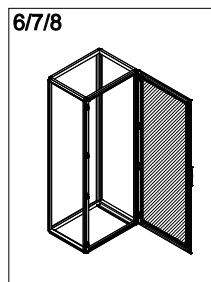
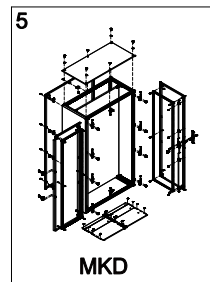
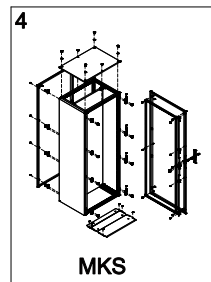
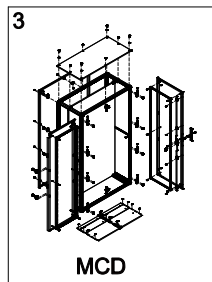
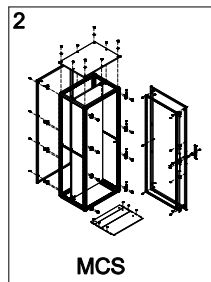
MOUNTING INSTRUCTIONS

7697-0262-01 REV.7



Floor standing enclosures

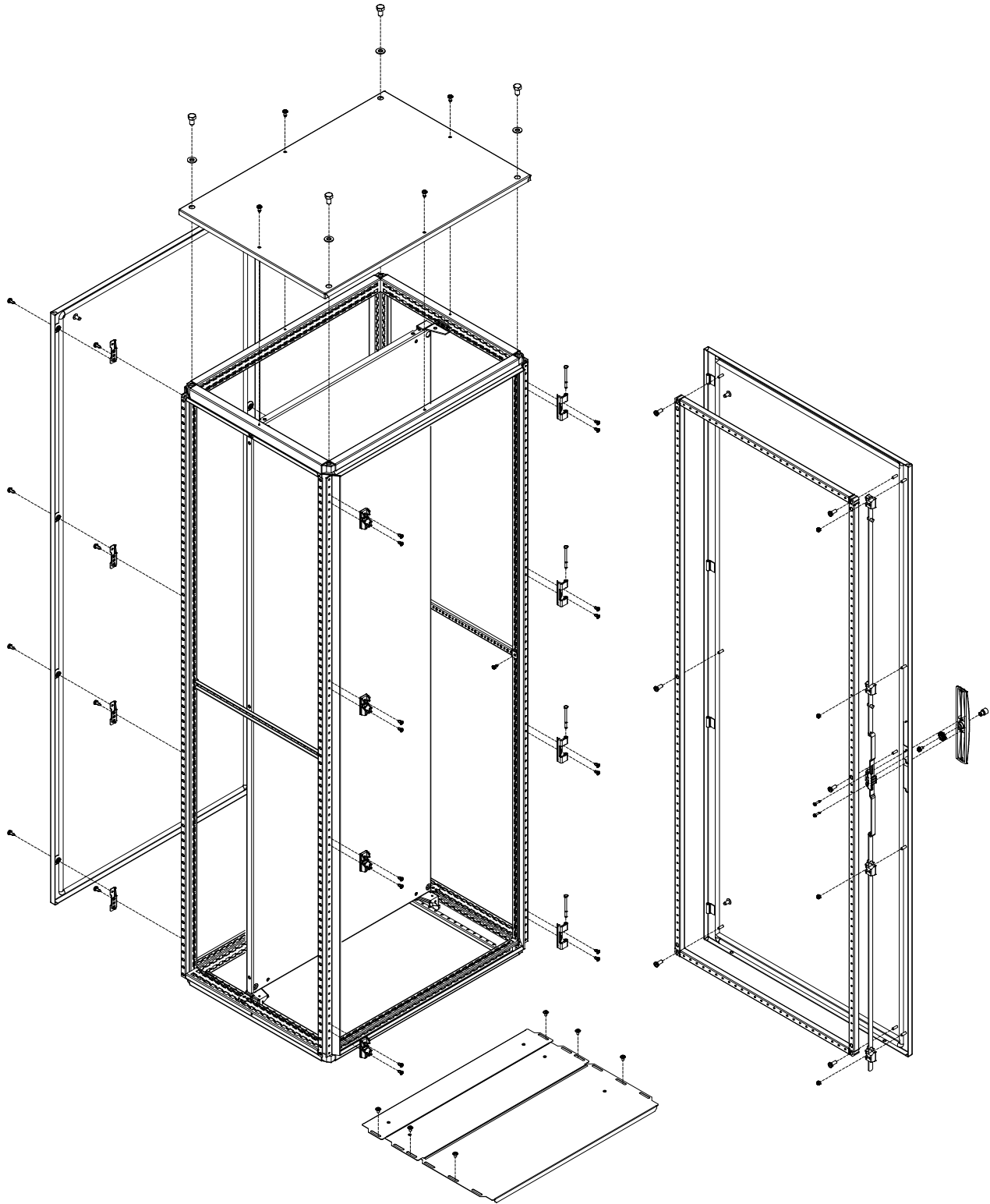
Combinable and semi-compact version



Floor standing enclosures

Combinable and semi-compact version

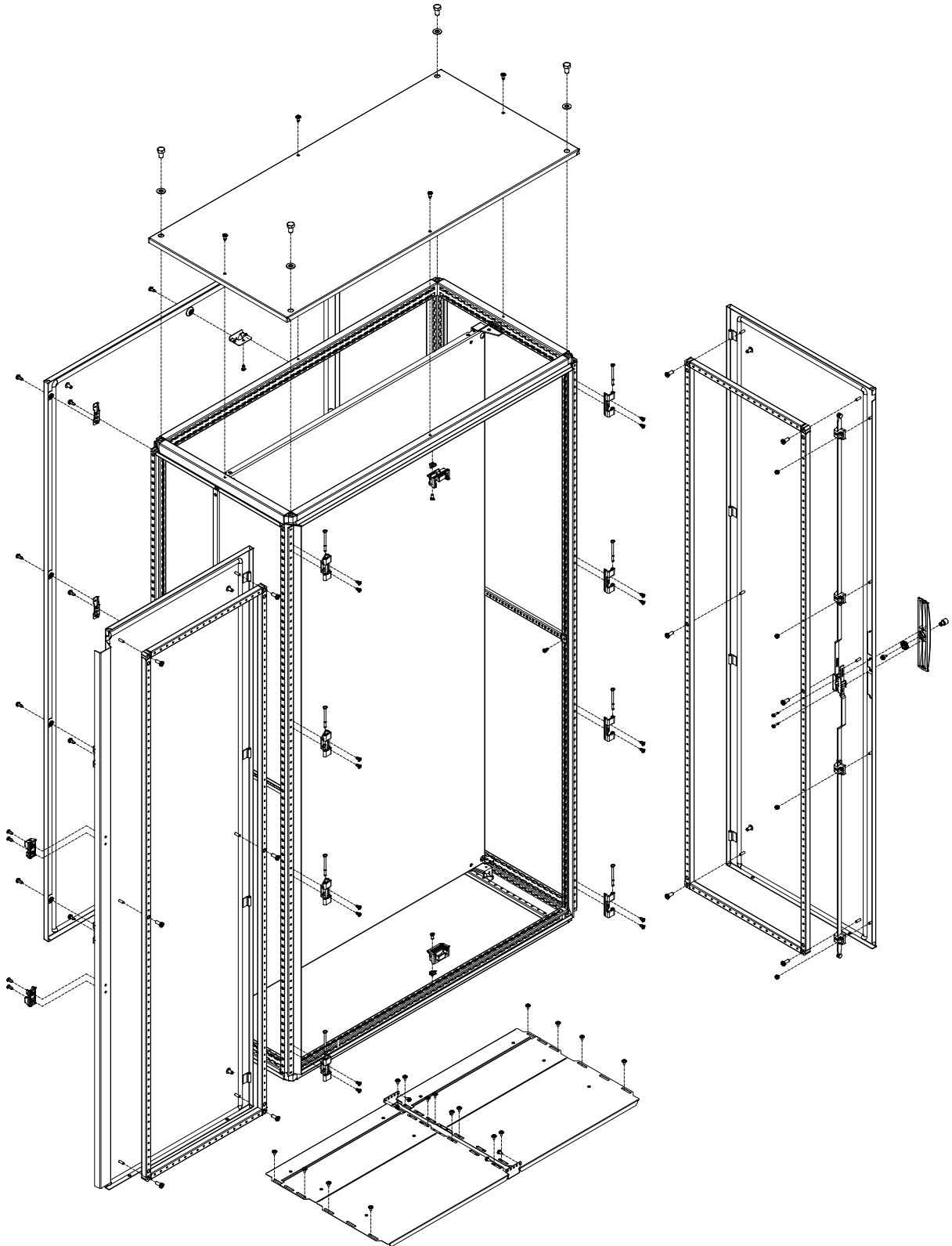
MCS



Floor standing enclosures

Combinable and semi-compact version

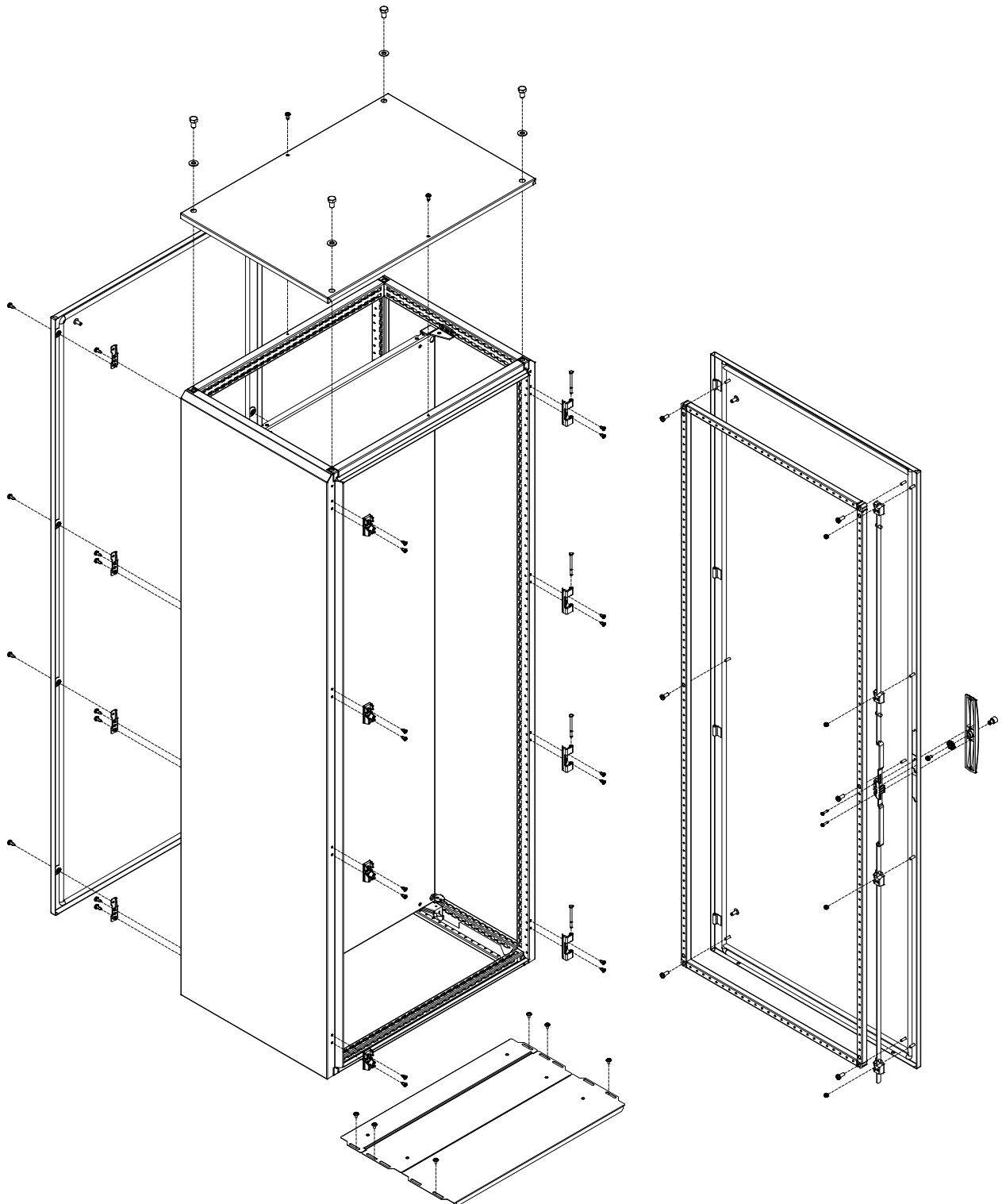
MCD



Floor standing enclosures

Combinable and semi-compact version

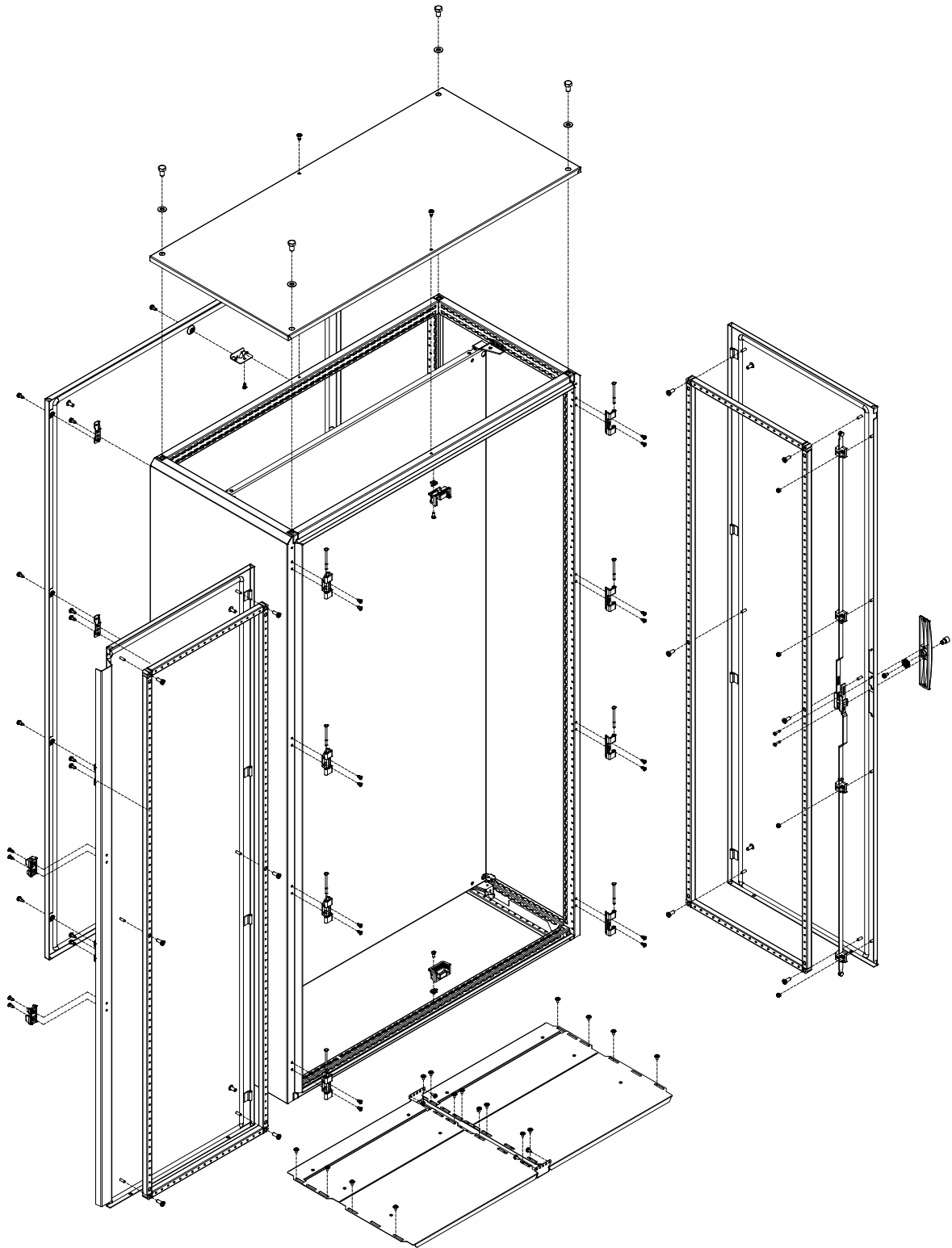
MKS



Floor standing enclosures

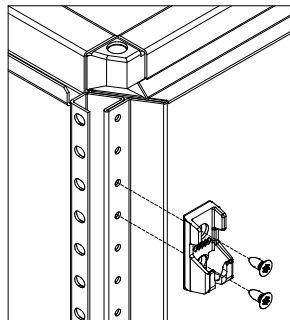
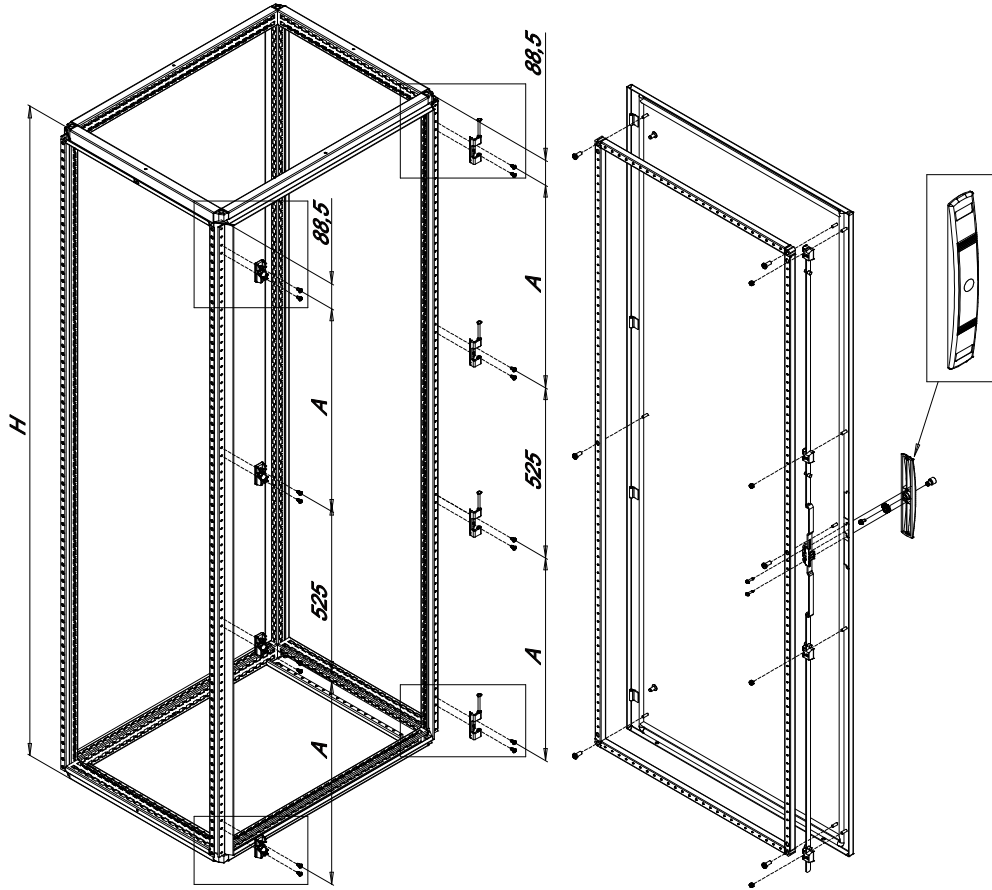
Combinable and semi-compact version

MKD

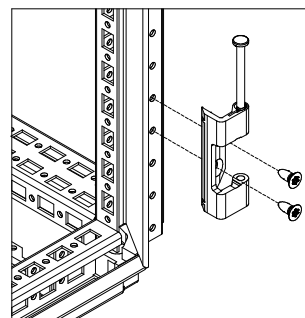
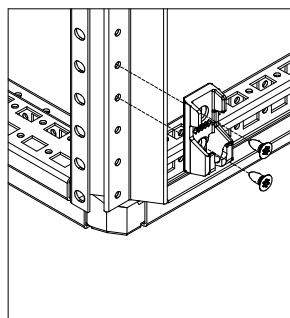
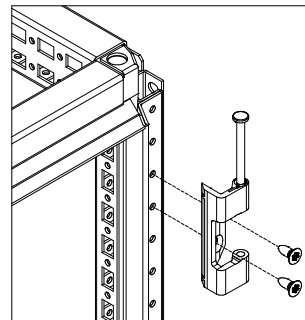


Floor standing enclosures

Combinable and semi-compact version

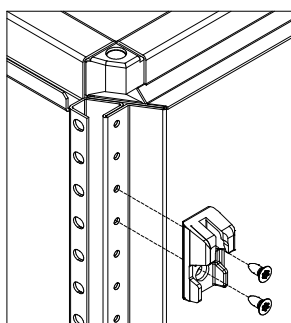
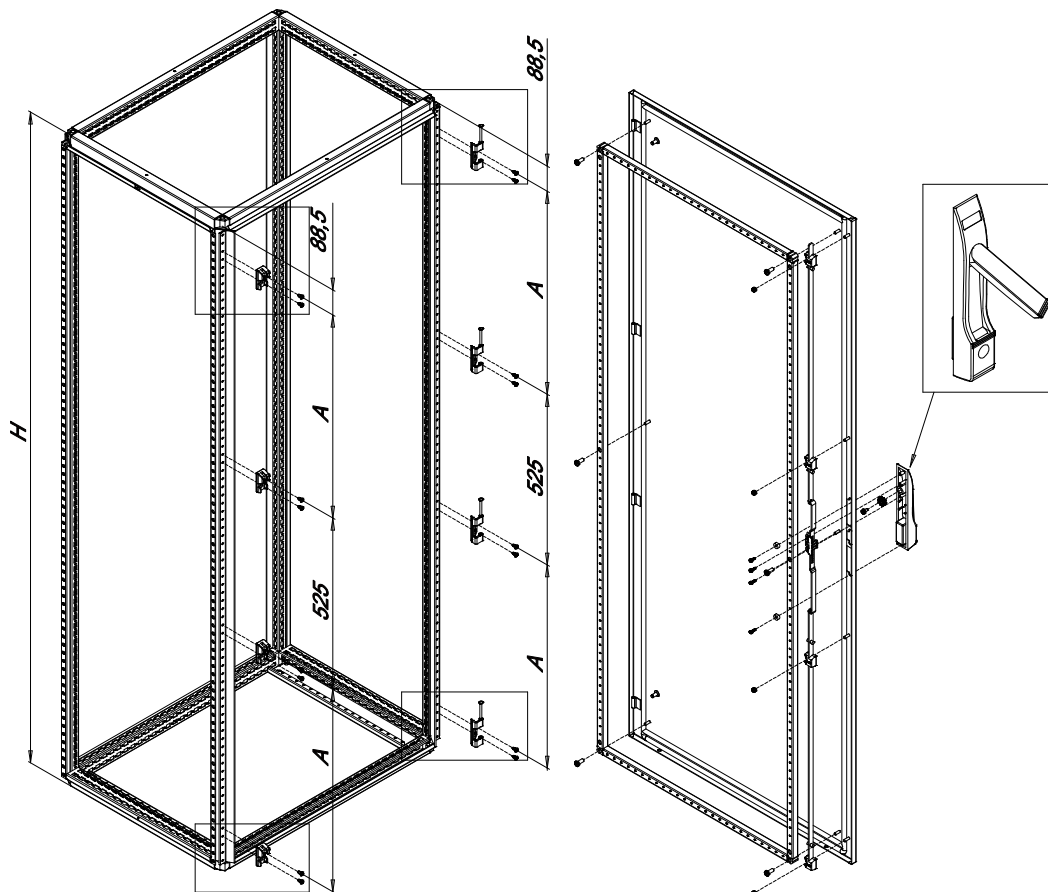


H	A
1100	175
1400	325
1600	425
1800	525
2000	625
2200	725

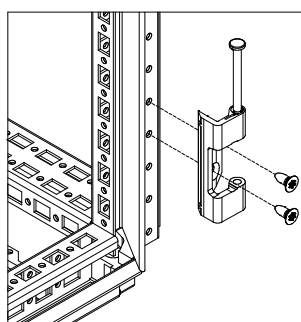
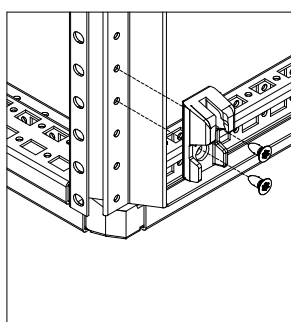
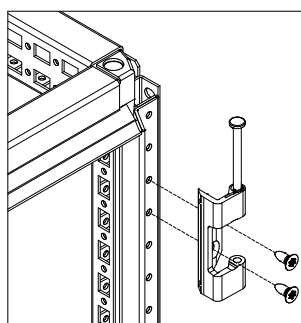


Floor standing enclosures

Combinable and semi-compact version

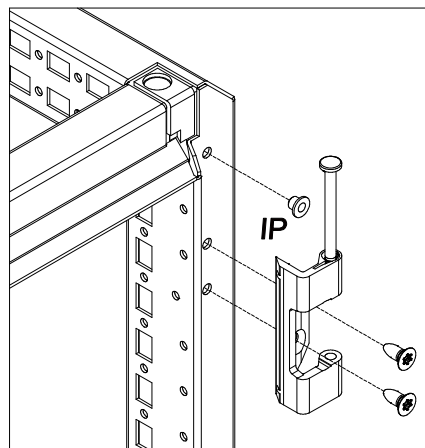
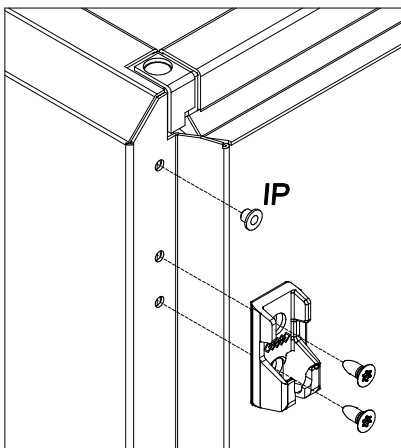
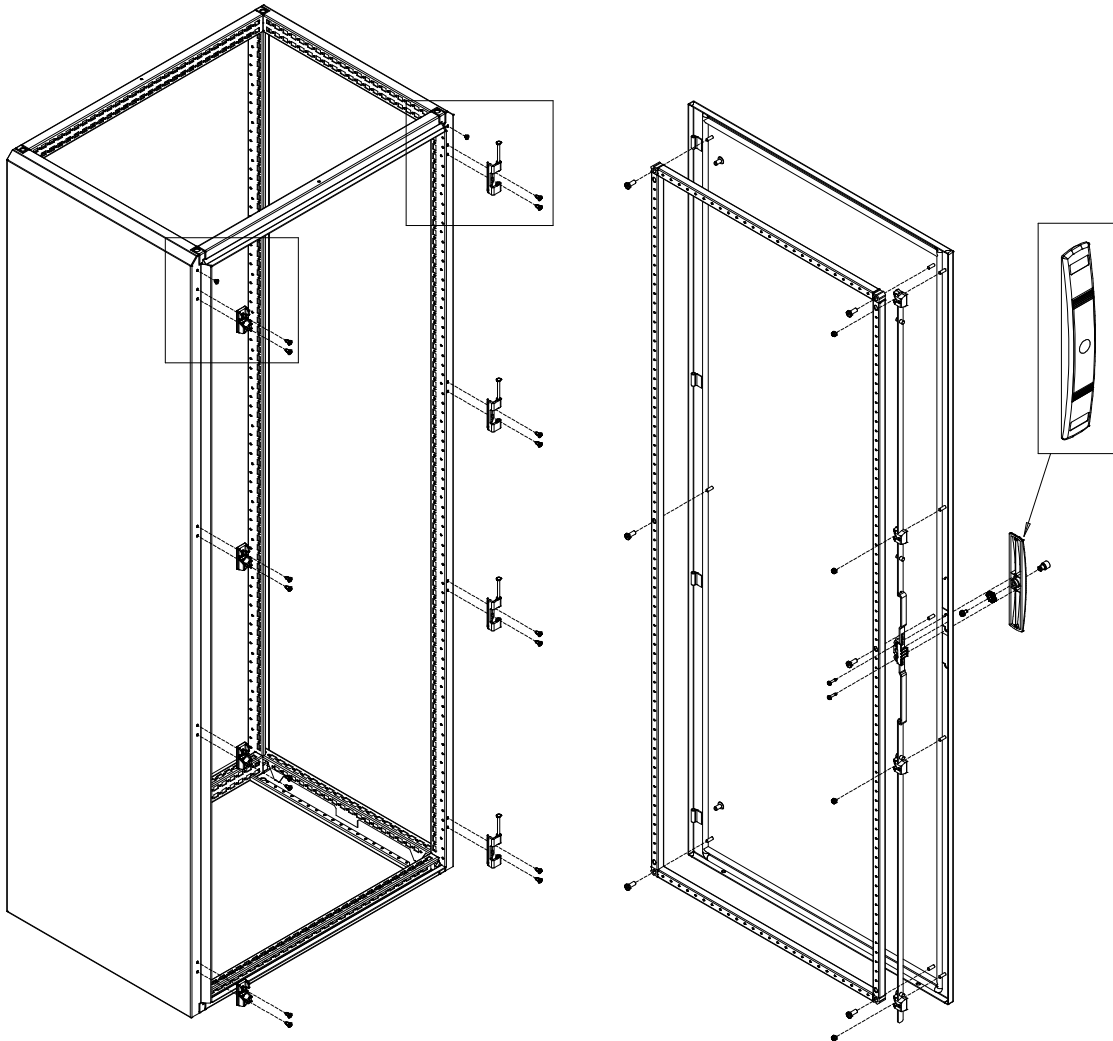


H	A
1100	175
1400	325
1600	425
1800	525
2000	625
2200	725



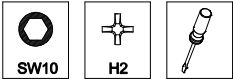
Floor standing enclosures

Combinable and semi-compact version



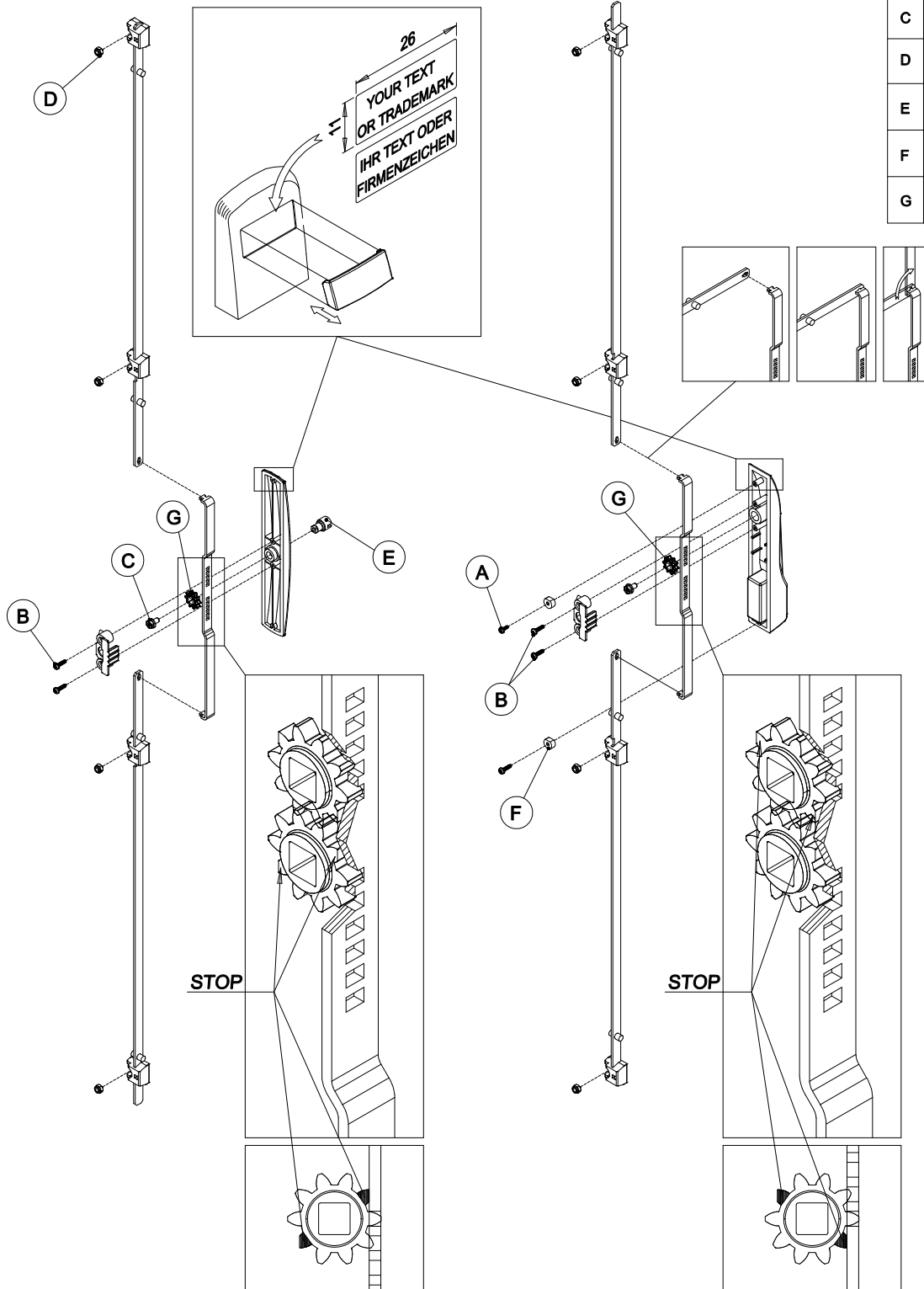
Floor standing enclosures

Combinable and semi-compact version



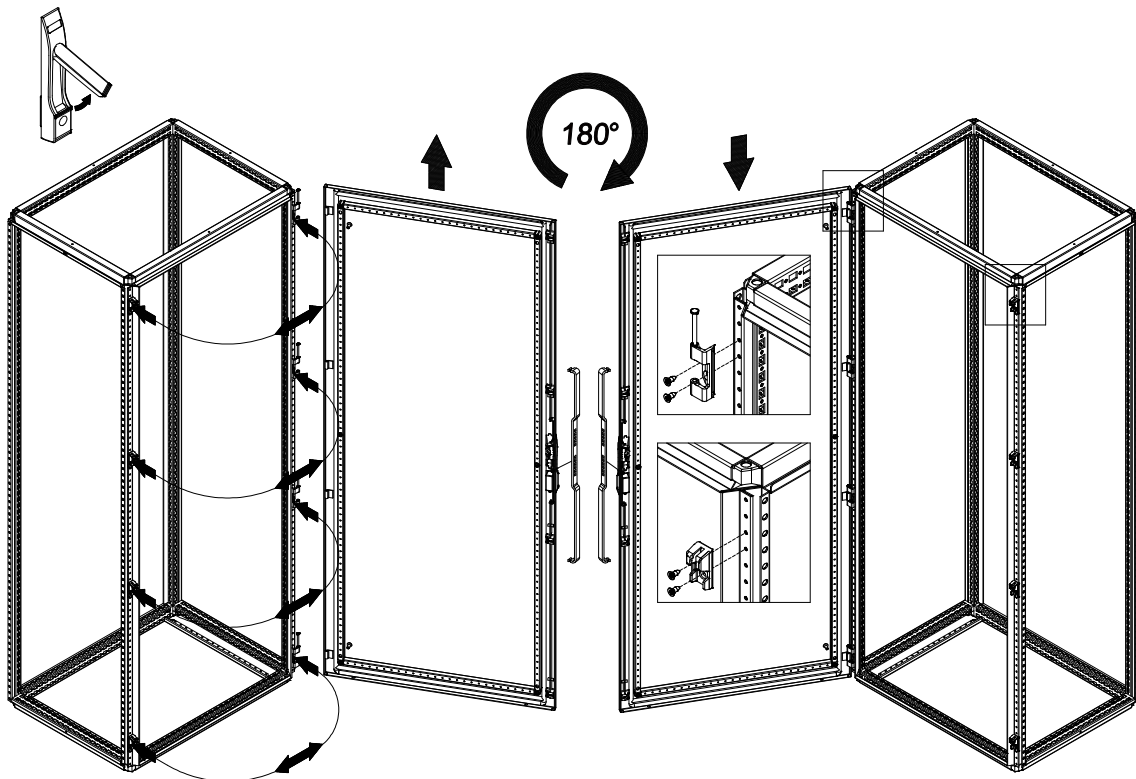
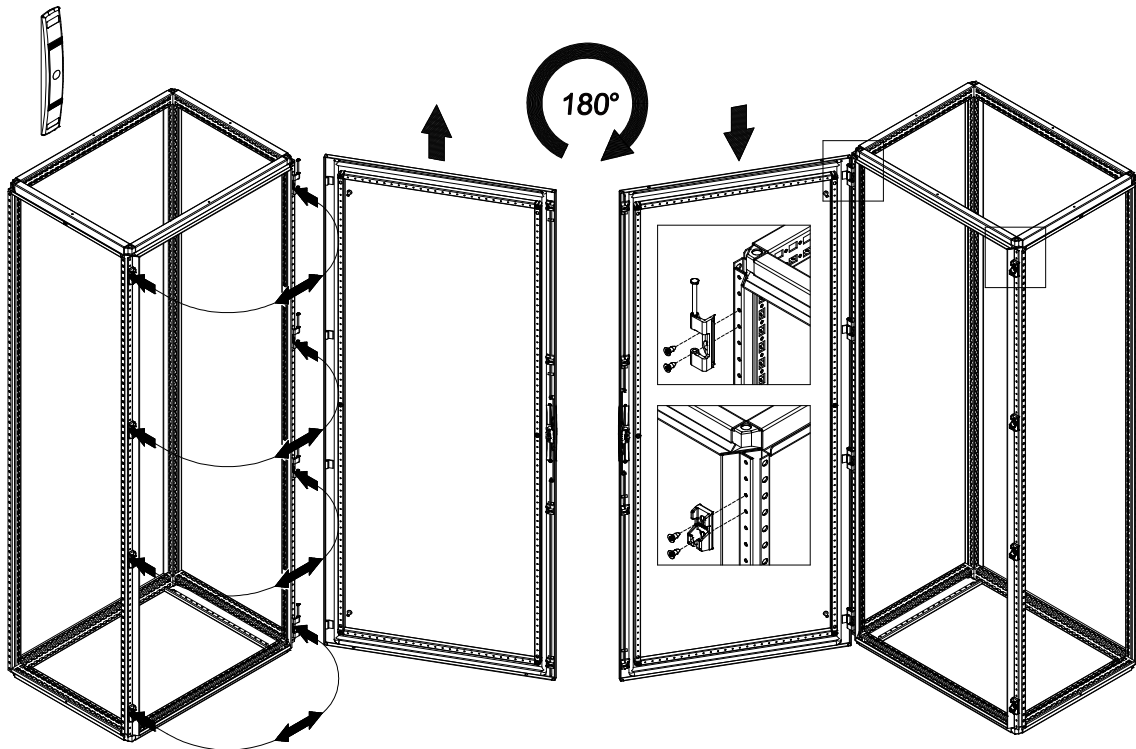
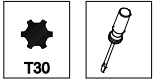
MCS/MKS

Ref.	Pic.	
A		1
B		2/4
C		1
D		4
E		1
F		2
G		1



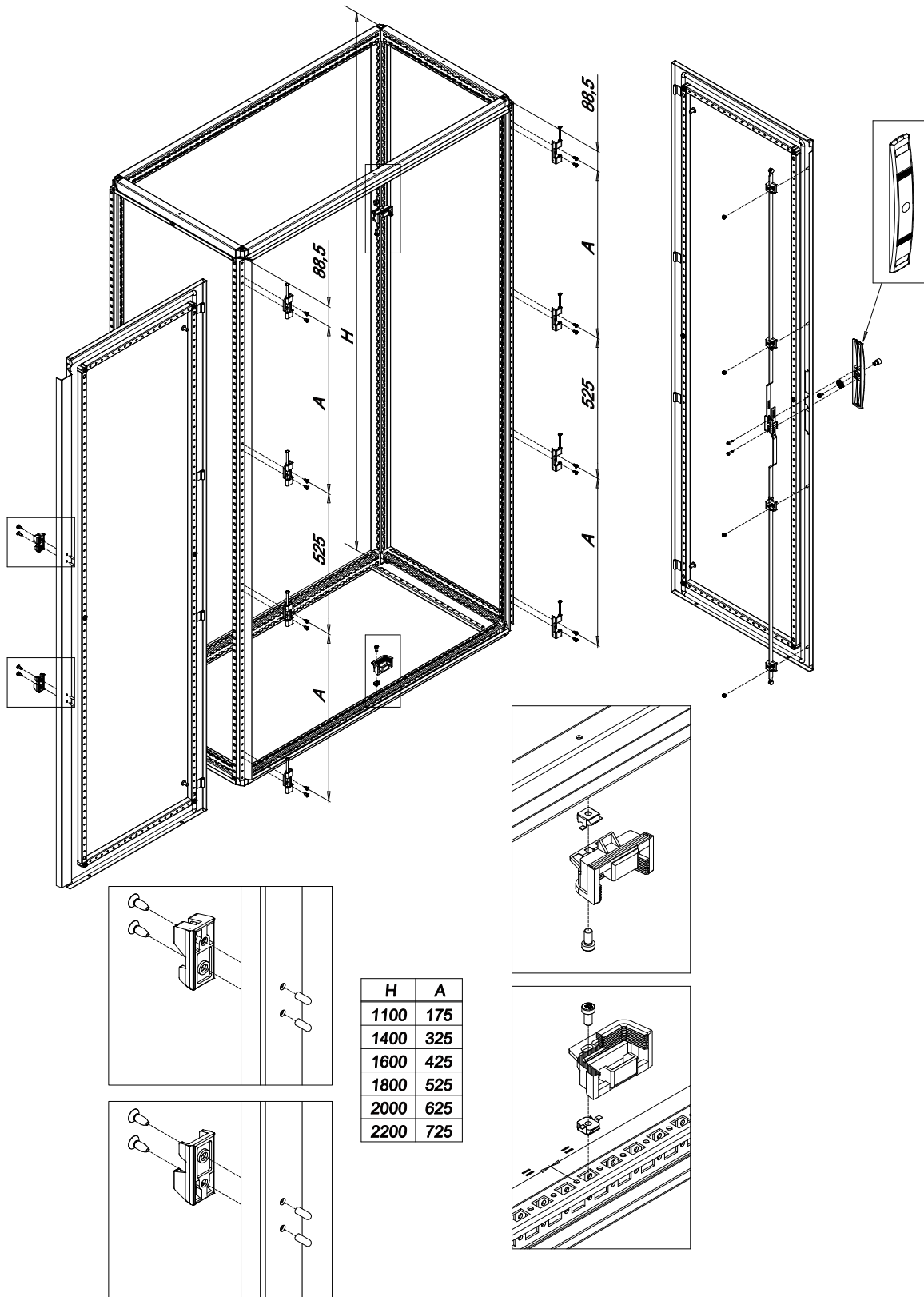
Floor standing enclosures

Combinable and semi-compact version



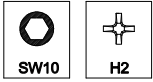
Floor standing enclosures

Combinable and semi-compact version



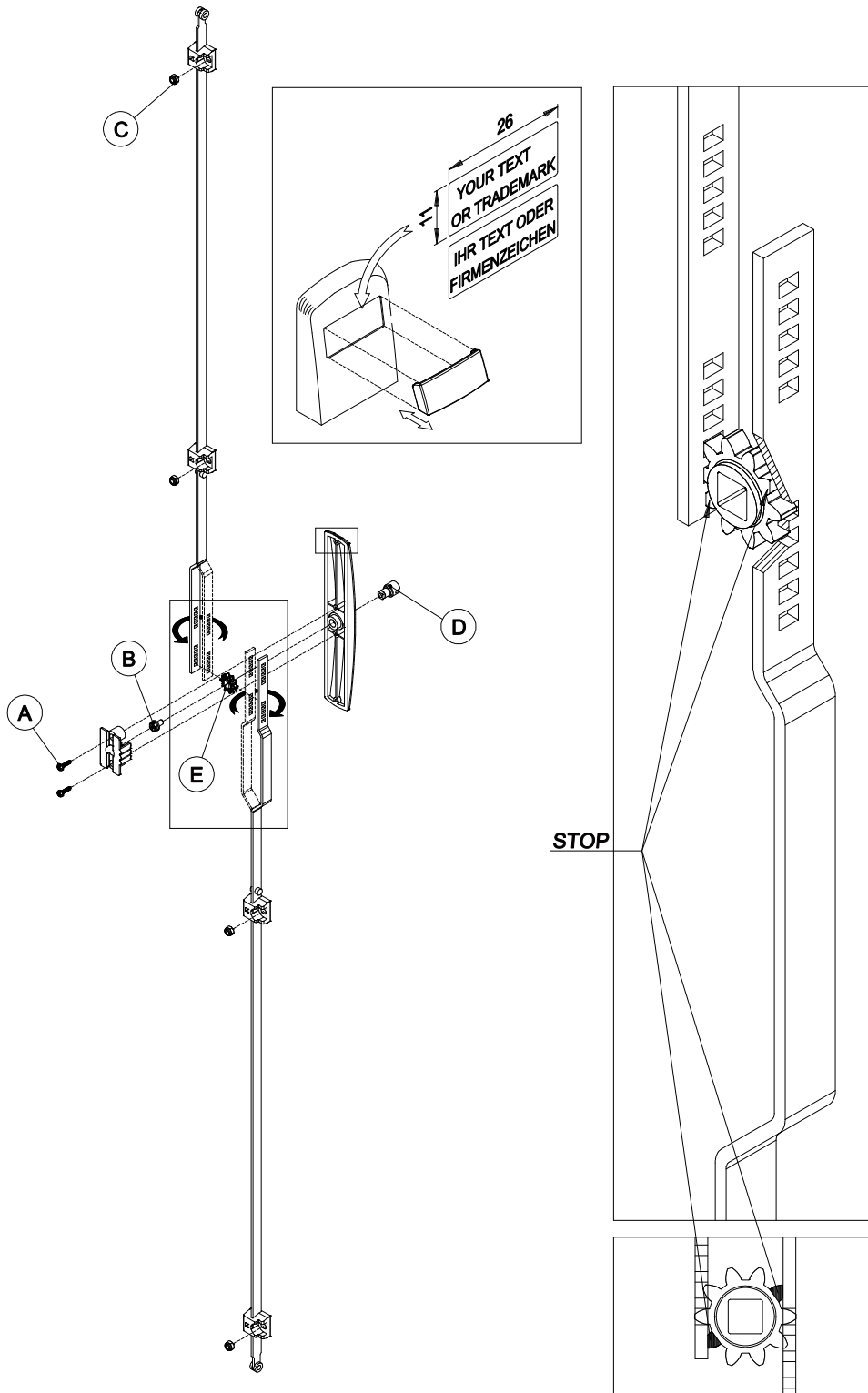
Floor standing enclosures

Combinable and semi-compact version



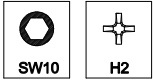
MCD/MKD

Ref.	Pic.	
A	4.2x16	2
B	M6x10	1
C	M6	4
D		1
E		1



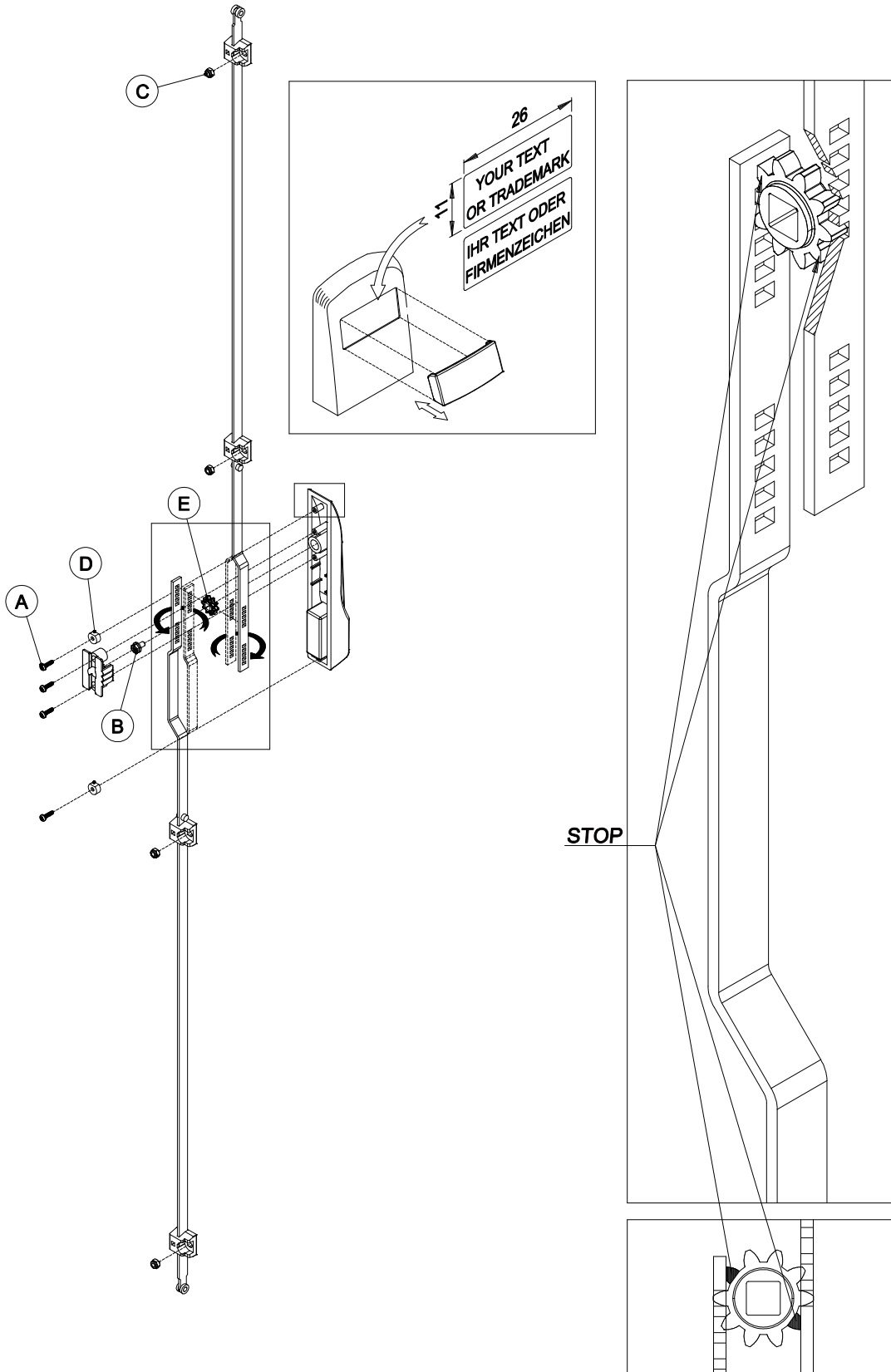
Floor standing enclosures

Combinable and semi-compact version



MCD/MKD

Ref.	Pic.	
A		4.2x16 4
B		M6x10 1
C		M6 4
D		2
E		1

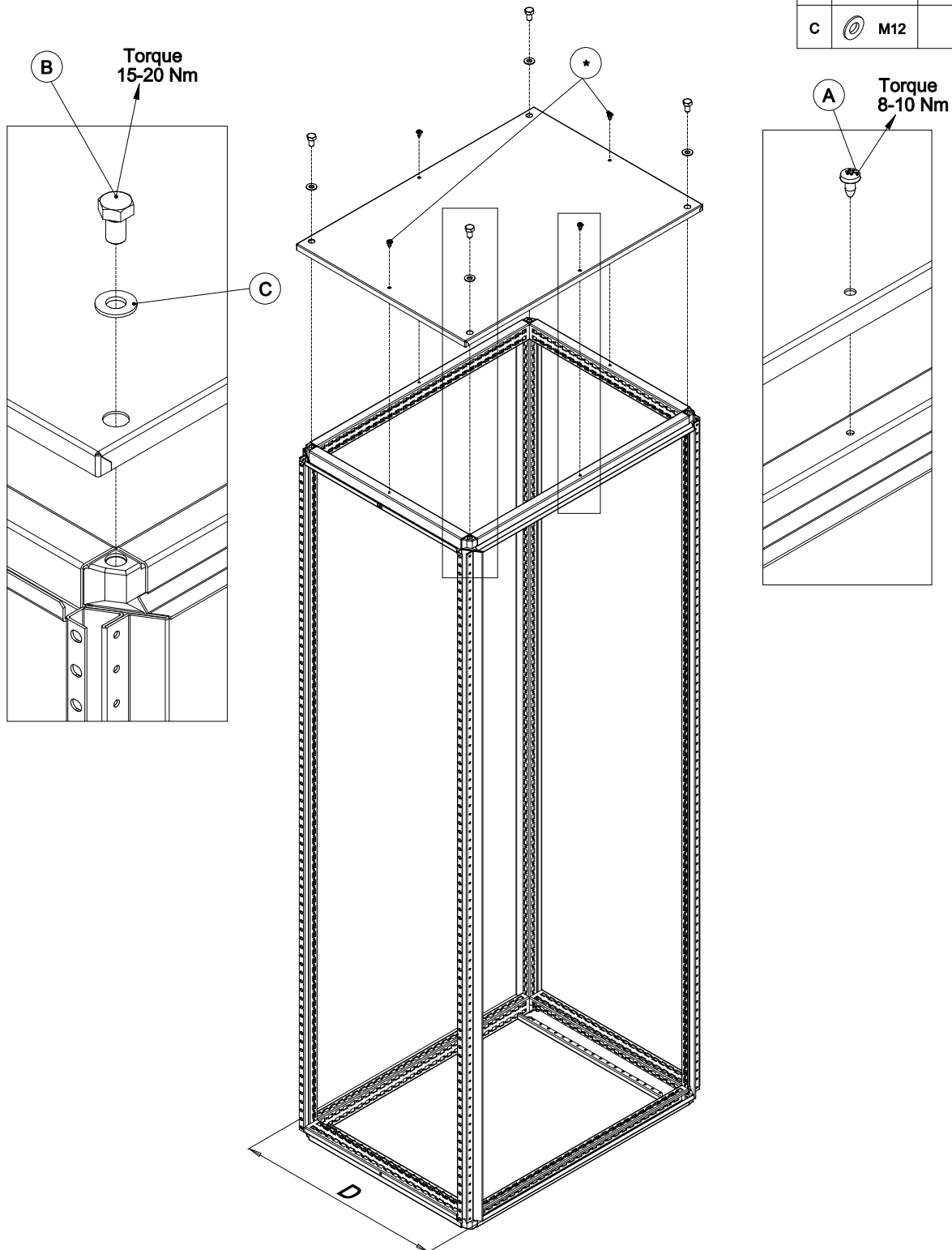


Floor standing enclosures

Combinable and semi-compact version



Ref.	Pic.	D (mm)	<800	≥800
A	M6x12	2	4	
B	M12x20	4	4	
C	M12	4	4	



* - Used on enclosures 800mm deep and above.

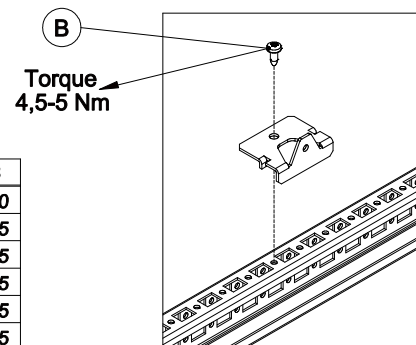
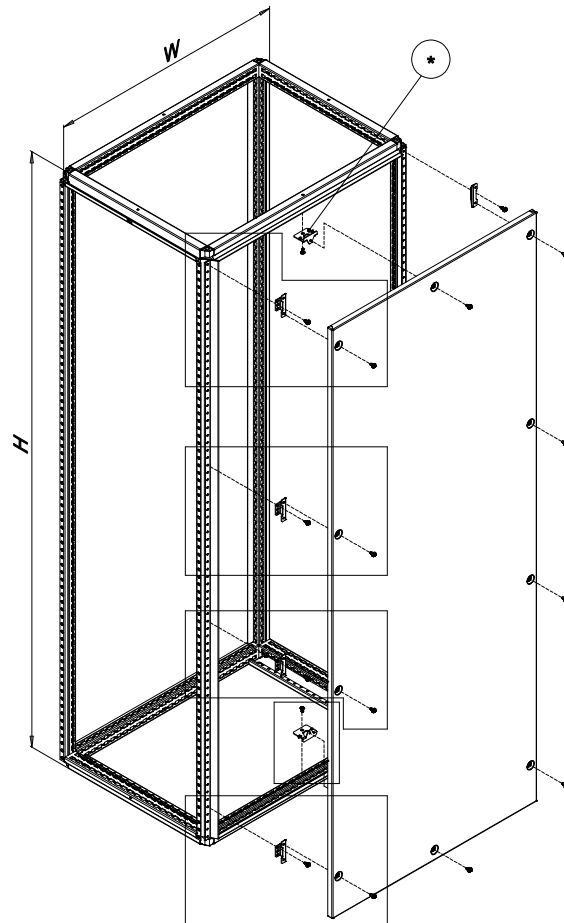
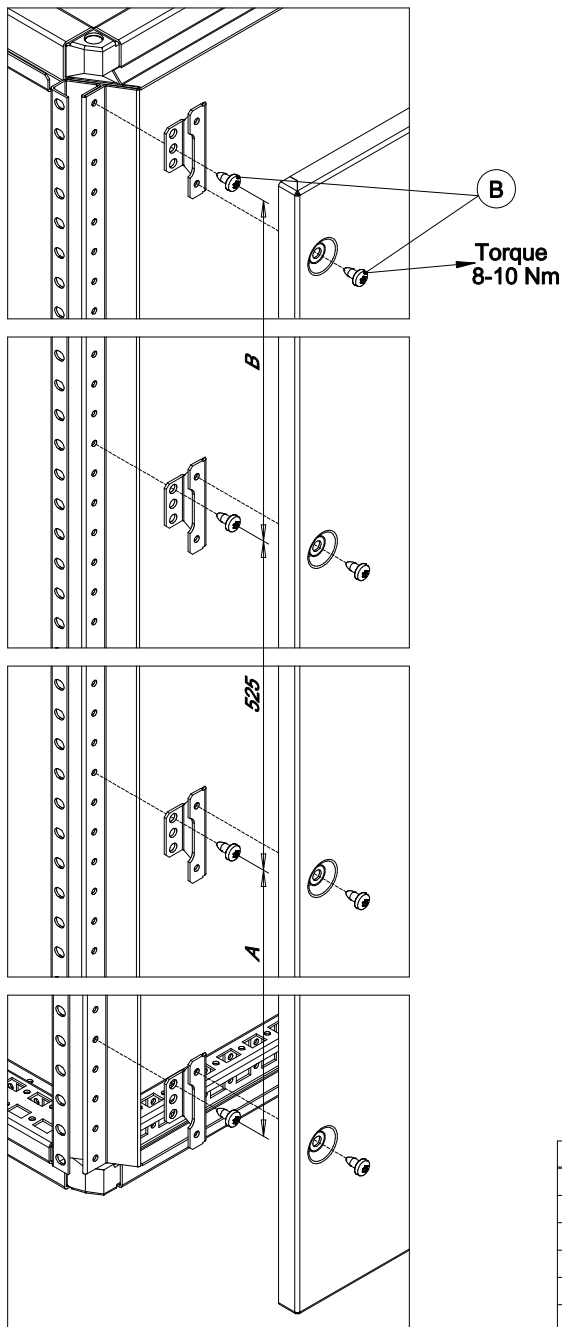
Floor standing enclosures

Combinable and semi-compact version



MCS

Ref.	Pic.	W (mm)	<1000	≥1000
A			-	2
B		16	18	



H	A	B
1100	-	350
1400	325	375
1600	425	475
1800	525	575
2000	625	675
2200	725	775

* - Used on enclosures 1000mm wide and above.

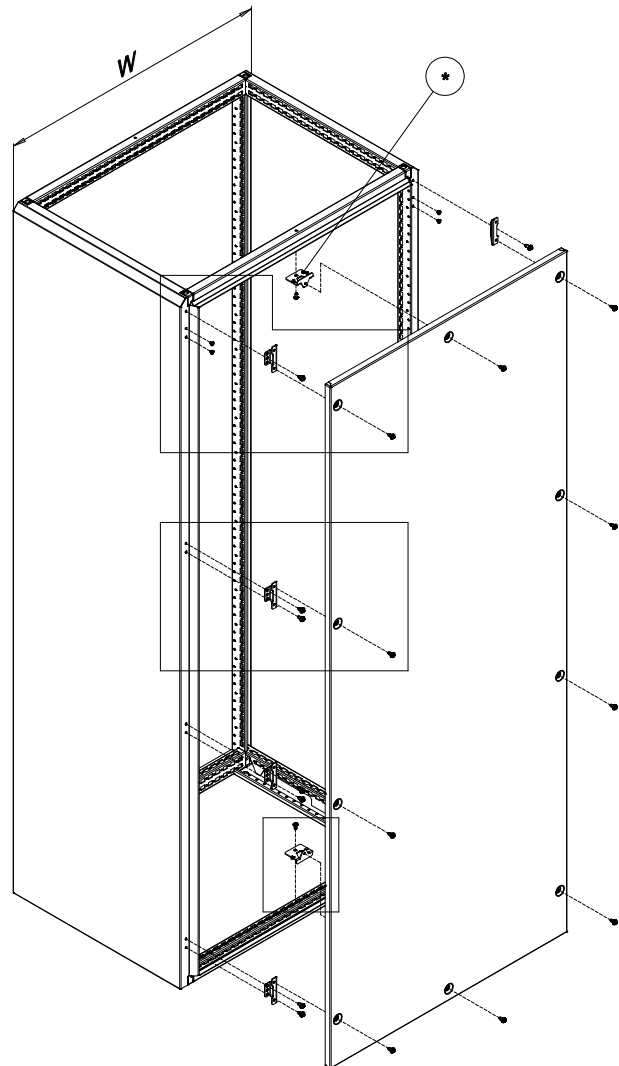
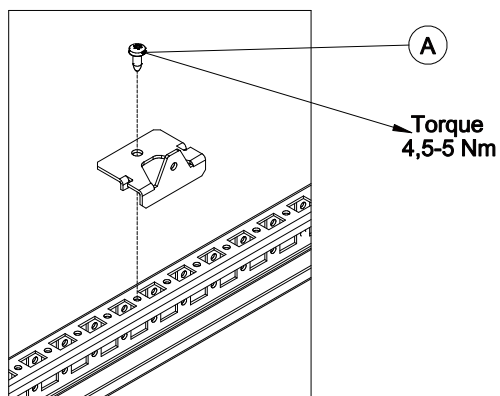
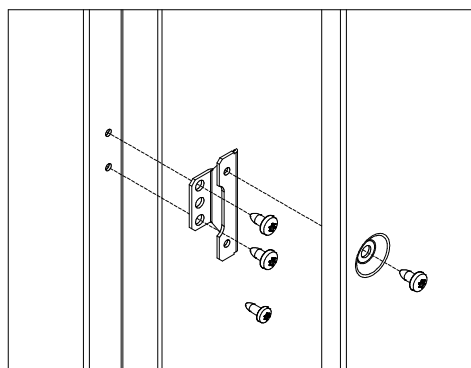
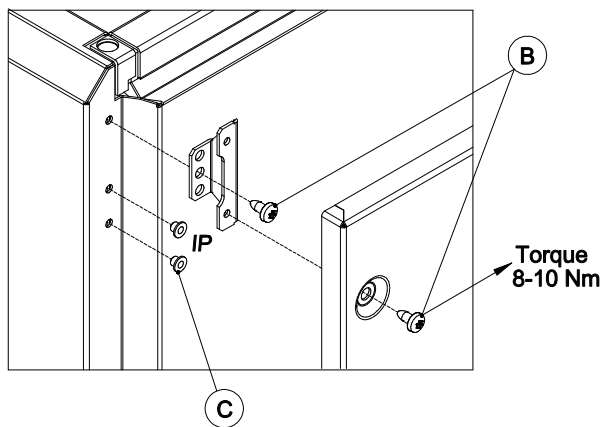
Floor standing enclosures

Combinable and semi-compact version



MKS

Ref.	Pic.	W (mm)	<1000	≥1000
A	M5x10	-	-	2
B	M6x12	22	24	
C			4	4



* - Used on enclosures 1000mm and 1200mm wide.

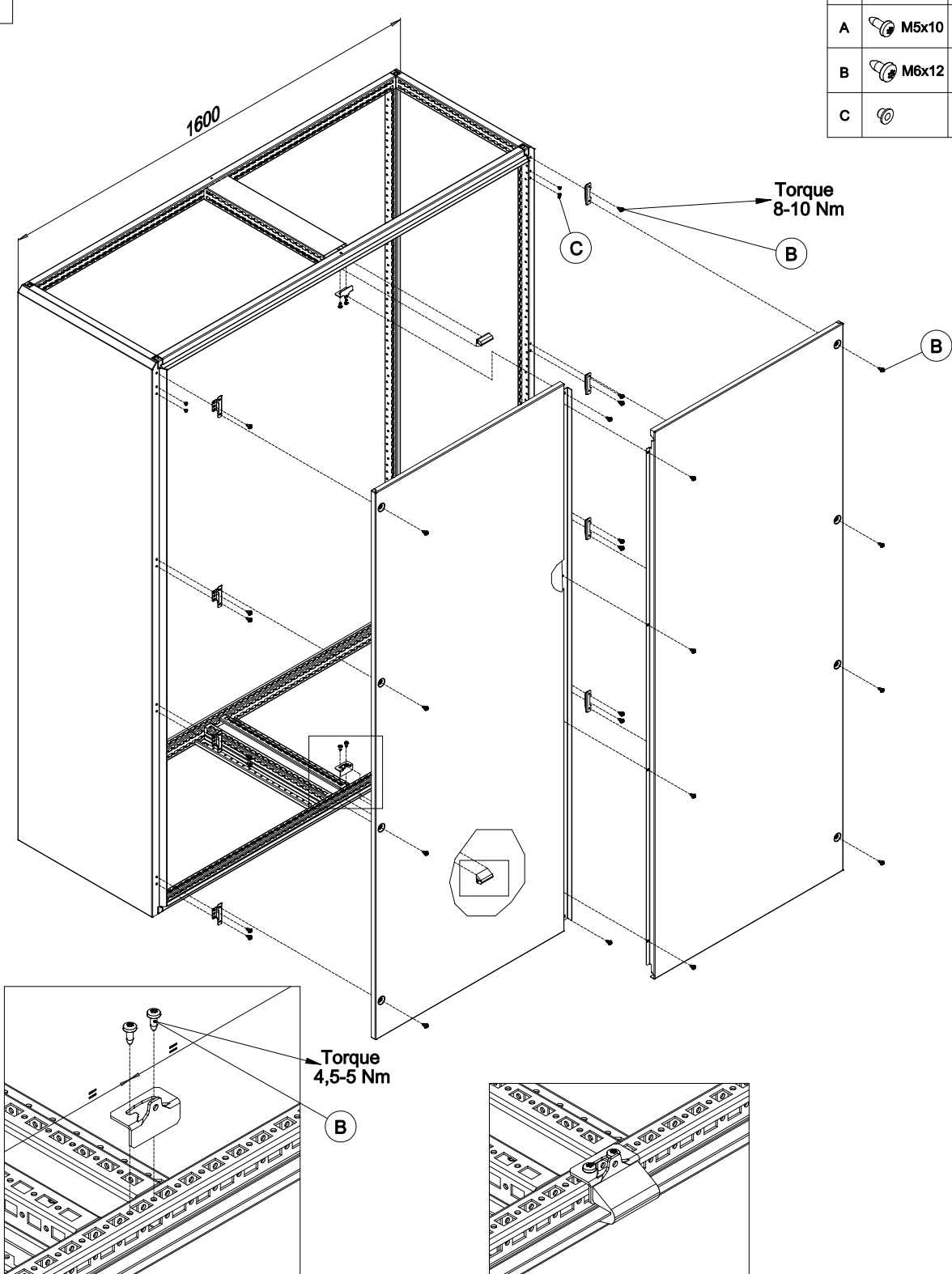
Floor standing enclosures

Combinable and semi-compact version



MKD

Ref.	Pic.	
A		4
B		28
C		4

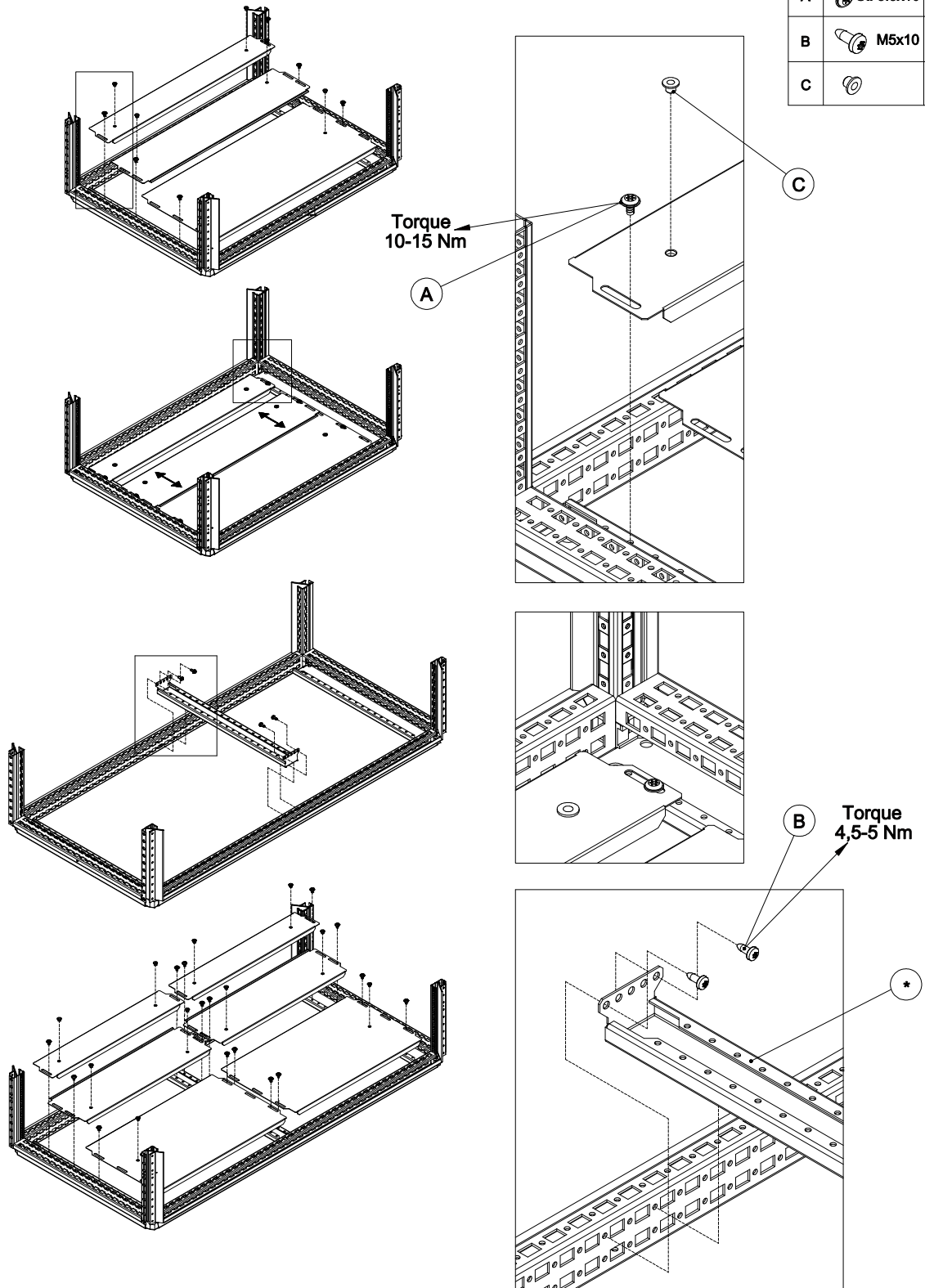


Floor standing enclosures

Combinable and semi-compact version



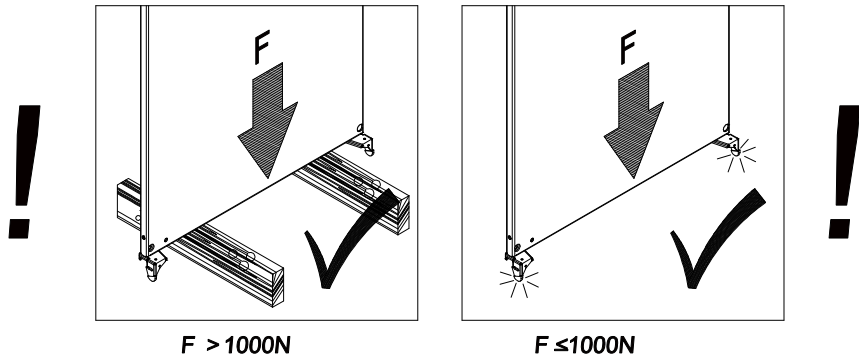
Ref.	Pic.	
A	St. 5.5x10	6/8/12/16
B	M5x10	4
C		5/7/10/14



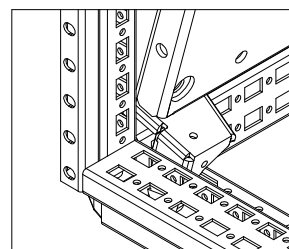
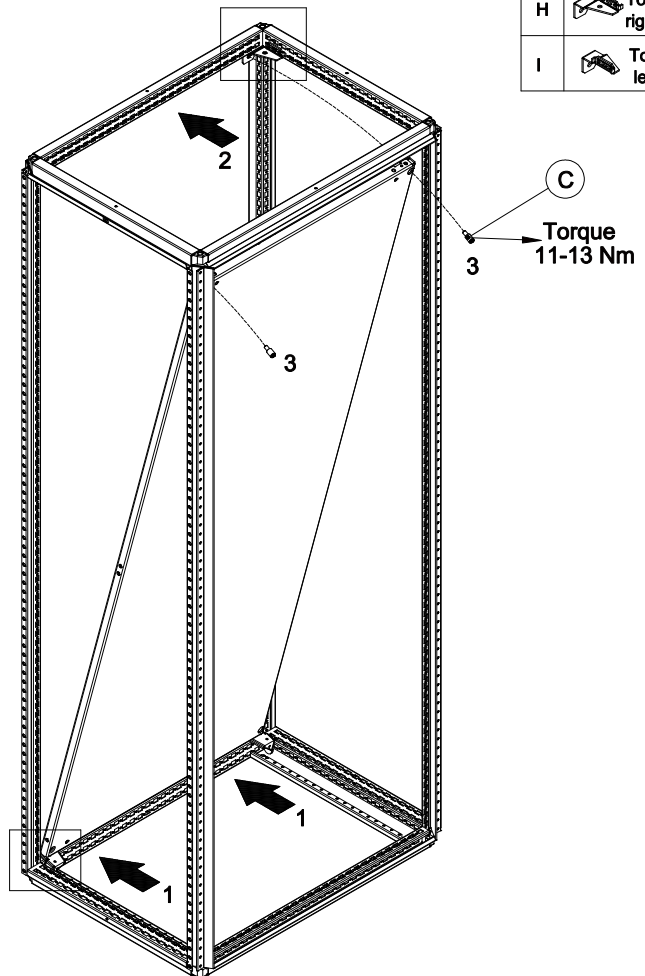
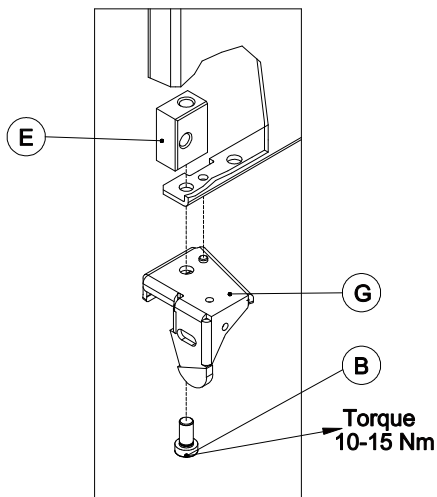
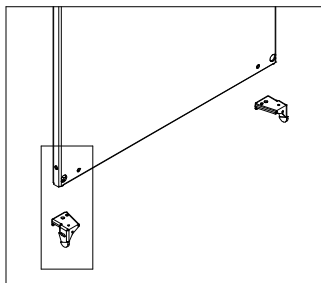
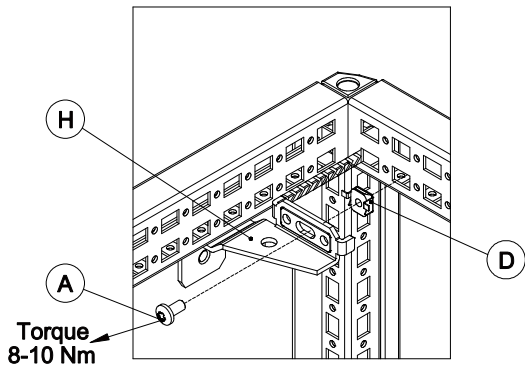
* - Used only on 1200mm wide enclosures.

Floor standing enclosures

Combinable and semi-compact version



Ref.	Pic.	
A	M6x12	6
B	M8x16	4
C	M8x16	2
D	M6	6
E		4
F	Bottom right	2
G	Bottom left	2
H	Top right	1
I	Top left	1



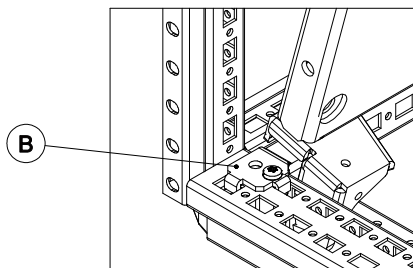
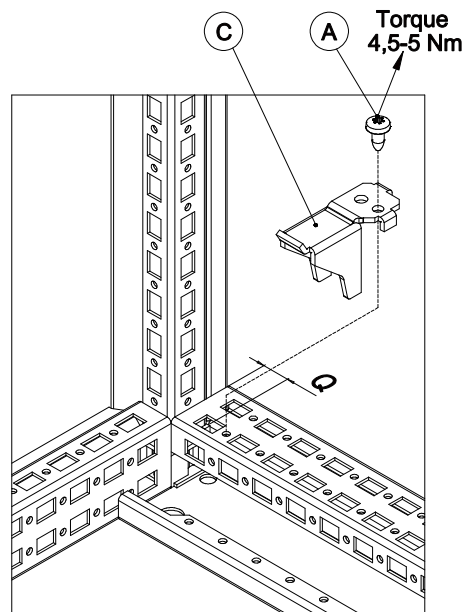
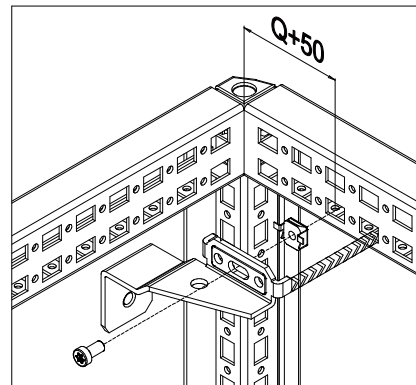
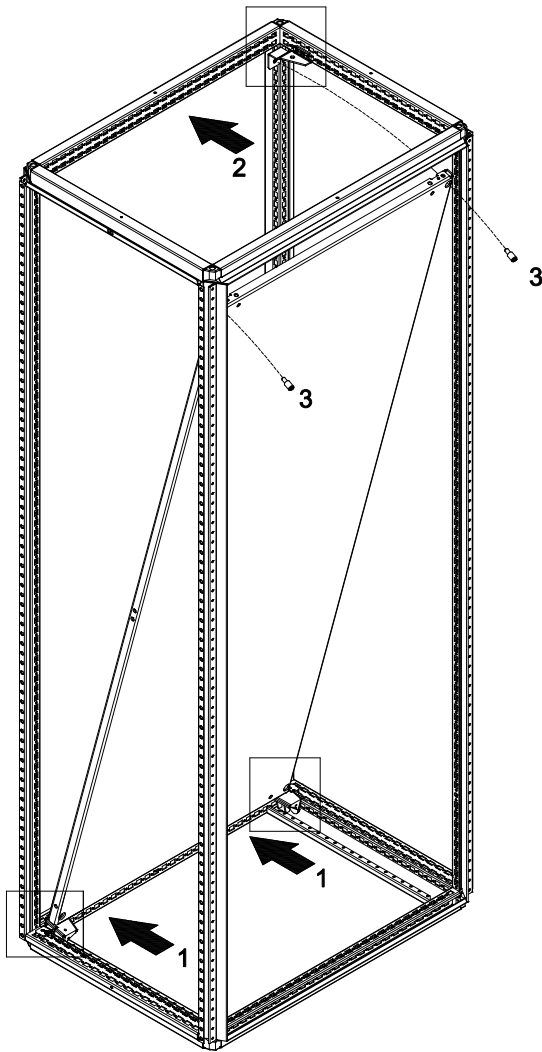
Floor standing enclosures

Combinable and semi-compact version



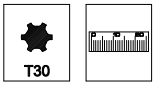
MPD02

Ref.	Pic.	
A	M5x10	2
B	Bottom left	1
C	Bottom right	1



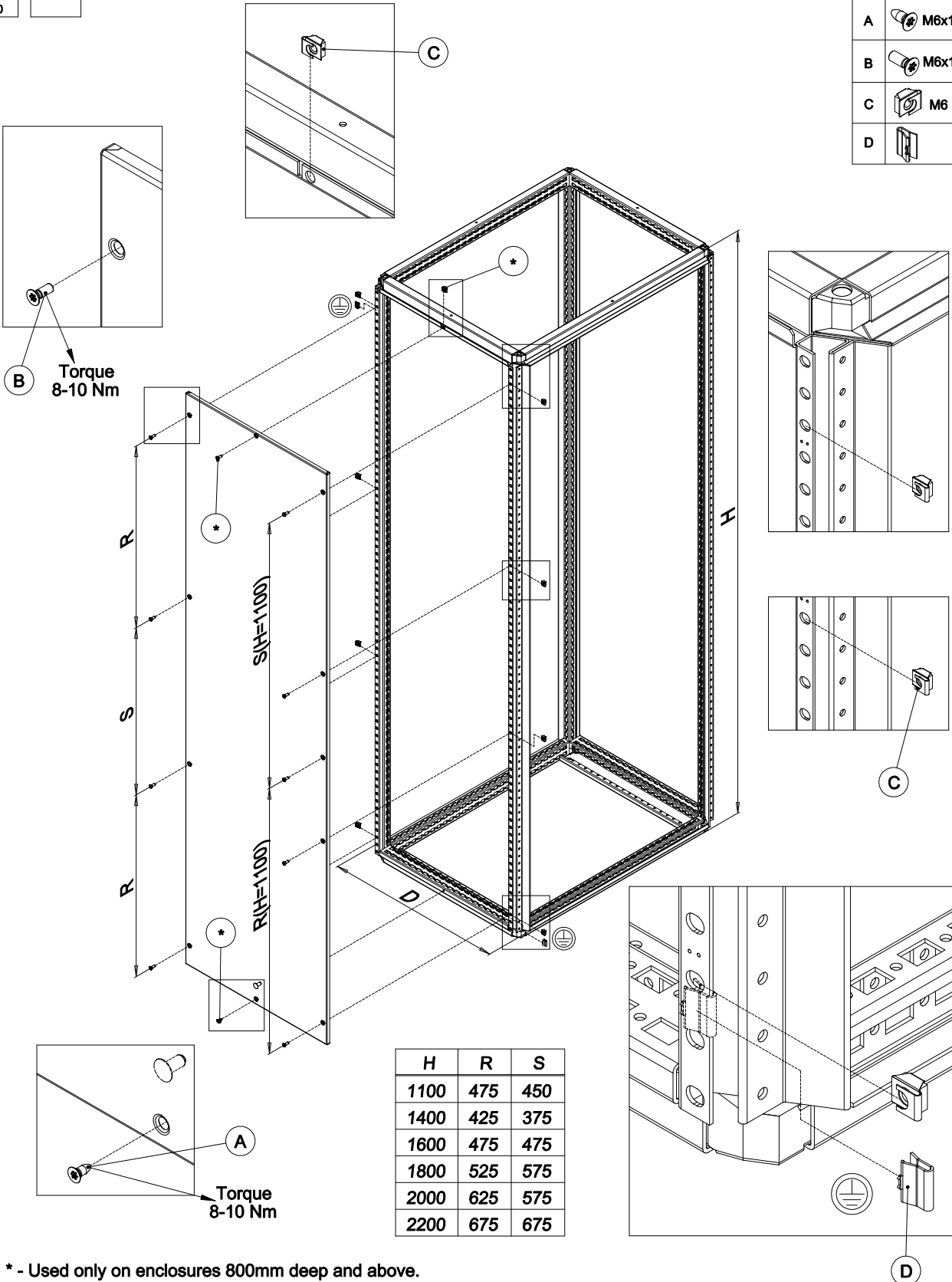
Floor standing enclosures

Combinable and semi-compact version



SPM

Ref.	Pic.	
A		0/1
B		6/8/9
C		6/8/9
D		2



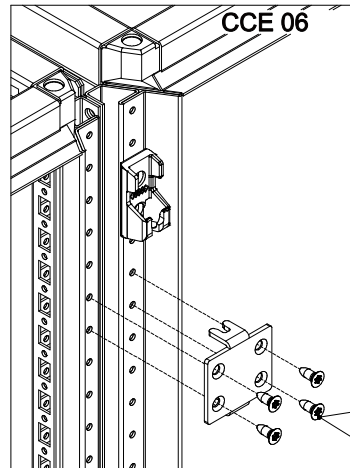
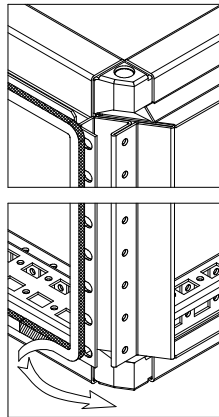
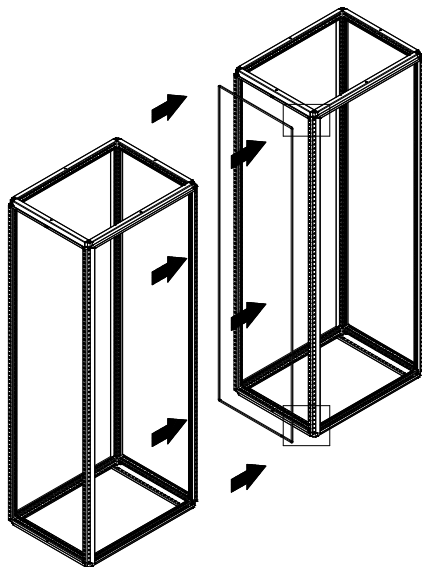
* - Used only on enclosures 800mm deep and above.

Floor standing enclosures

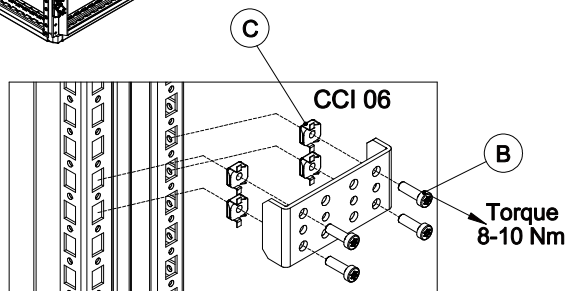
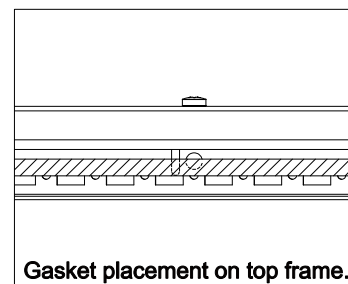
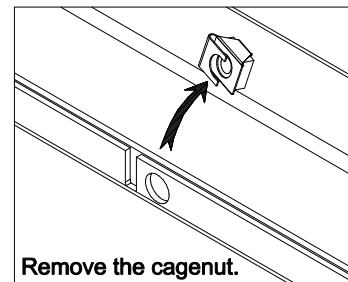
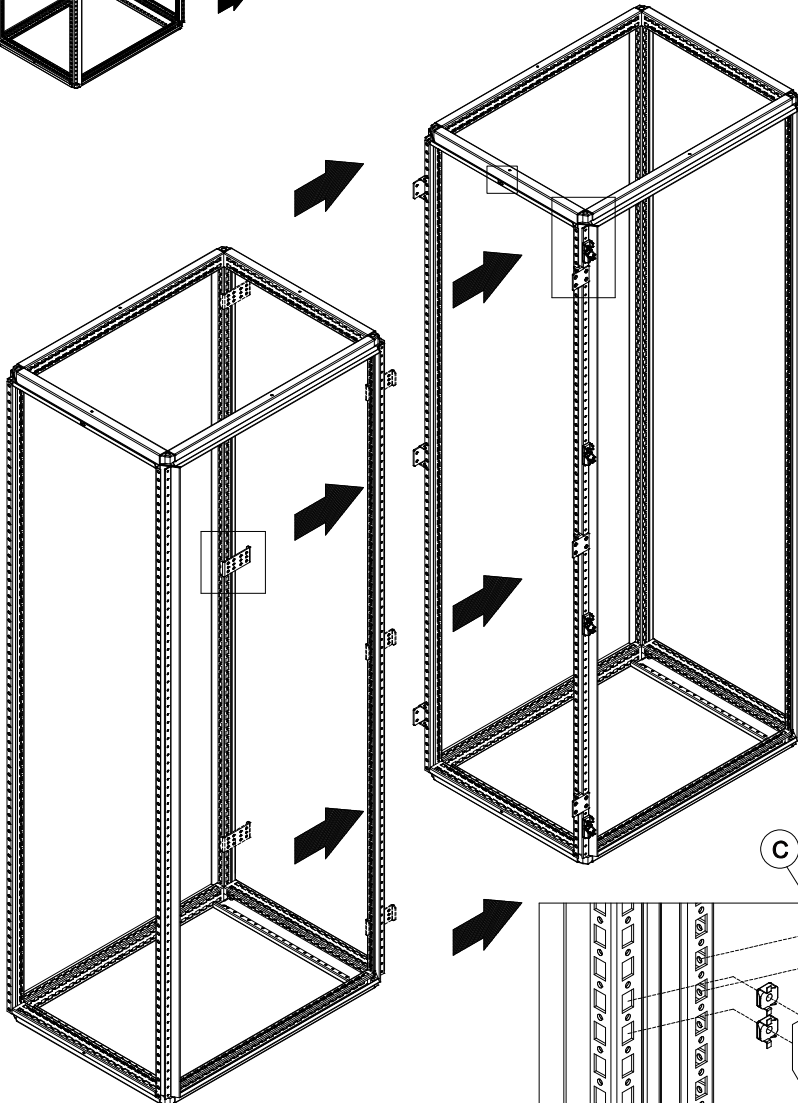
Combinable and semi-compact version



Ref.	Pic.	
A		24
B		24
C		24



A
Torque
8-10 Nm

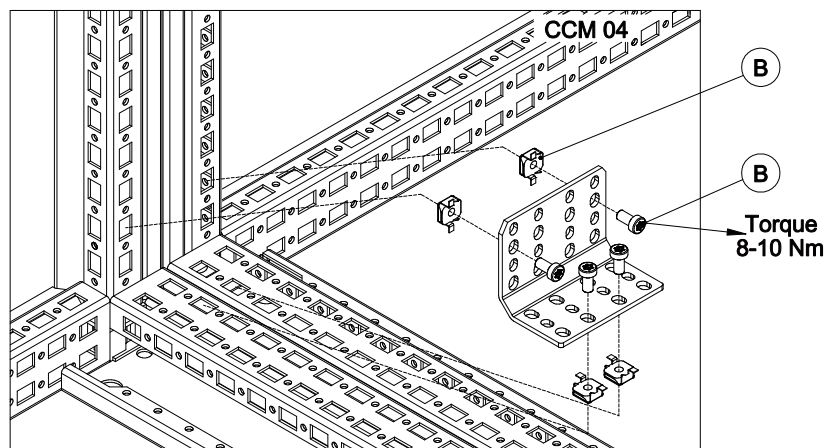
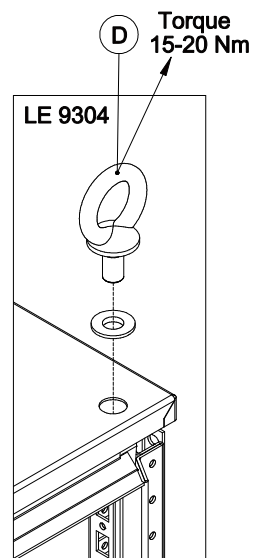
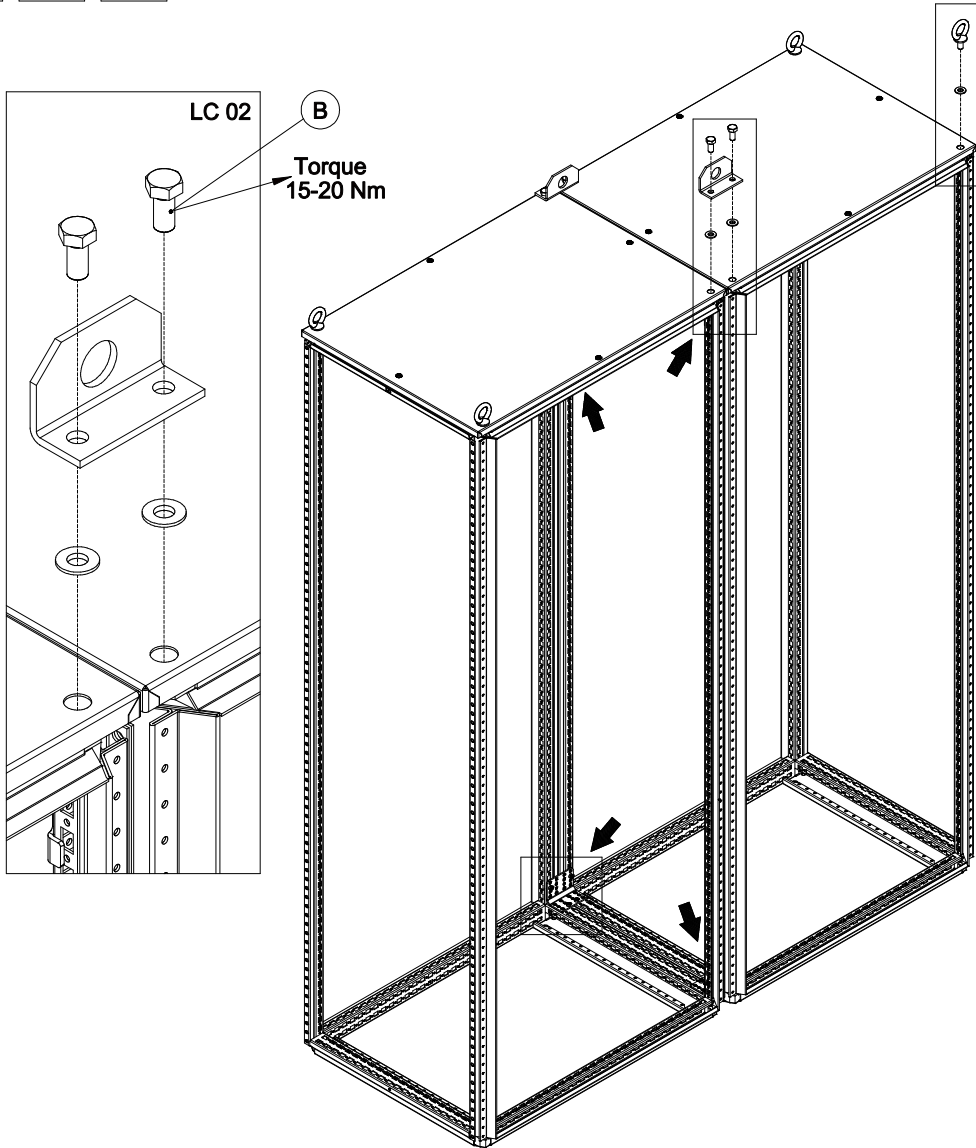


Floor standing enclosures

Combinable and semi-compact version



Ref.	Pic.	
A		16
B		4
C		16
D		4



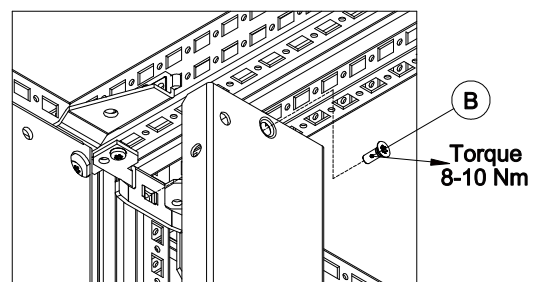
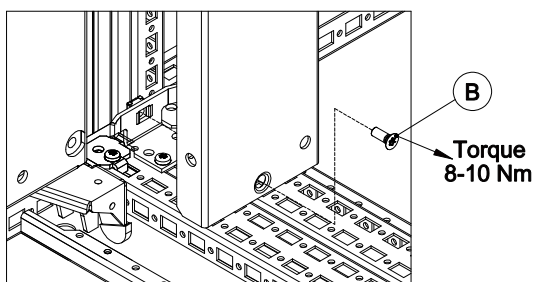
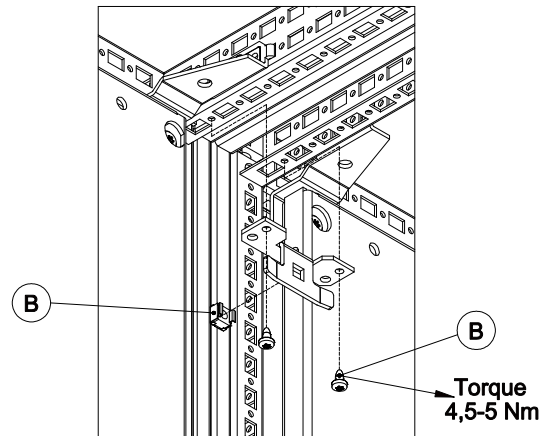
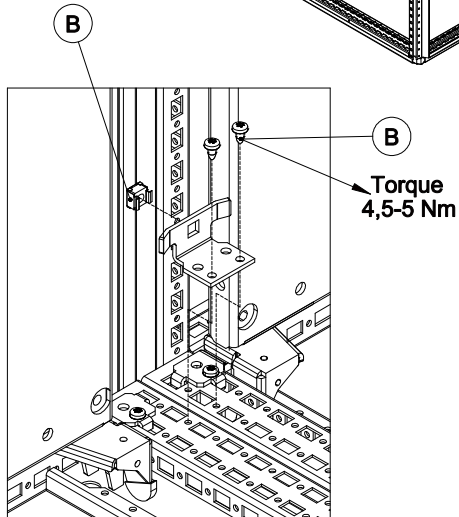
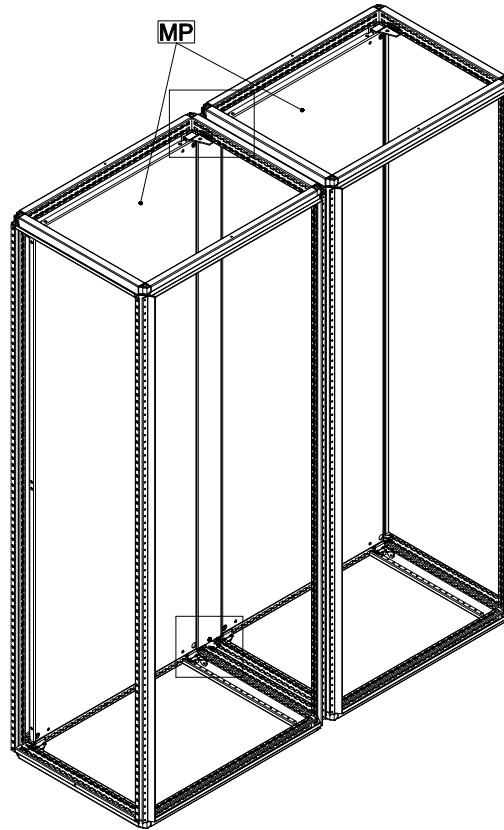
Floor standing enclosures

Combinable and semi-compact version



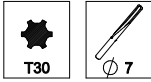
MPF

Ref.	Pic.	
A		4
B		2
C		2



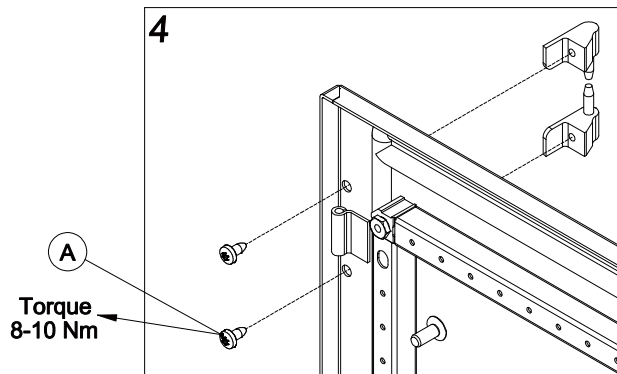
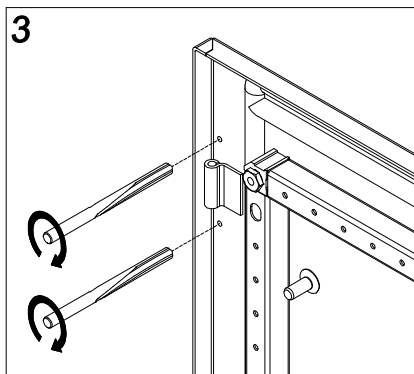
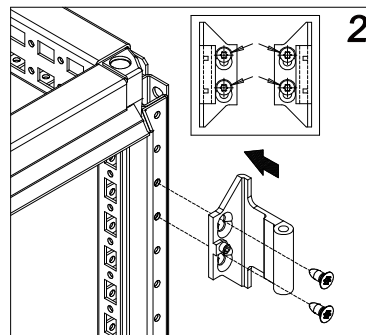
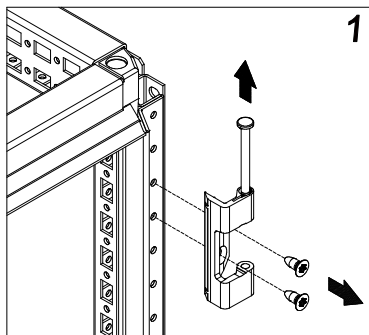
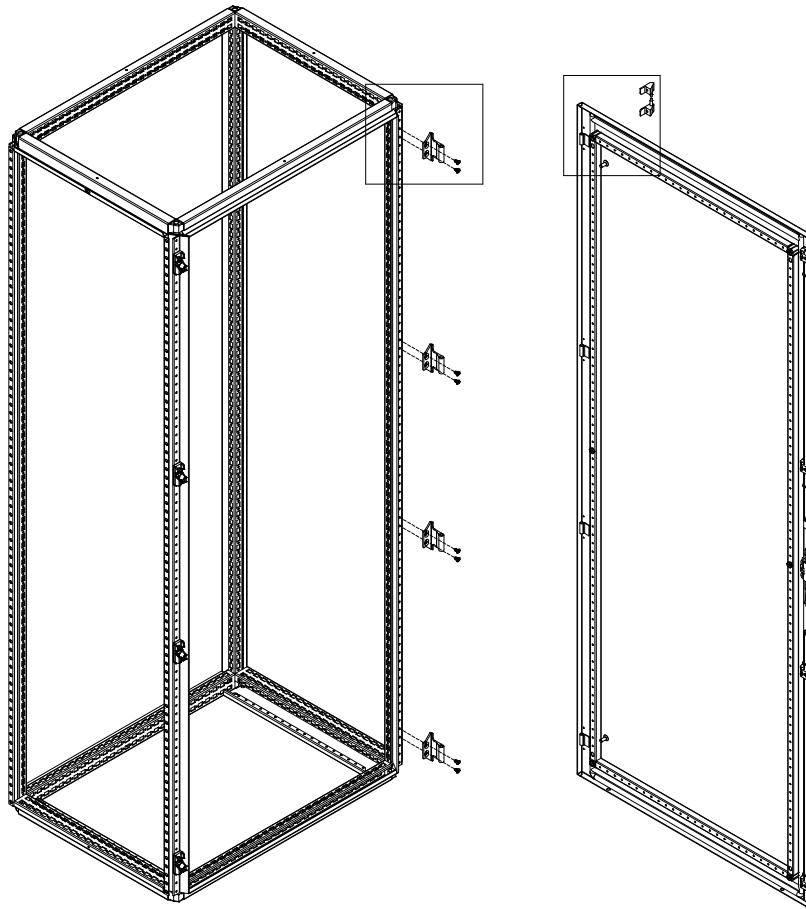
Floor standing enclosures

Combinable and semi-compact version



DHN 180

Ref.	Pic.	
A		8



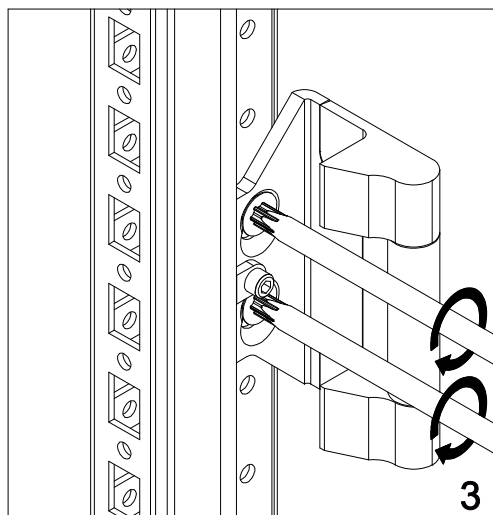
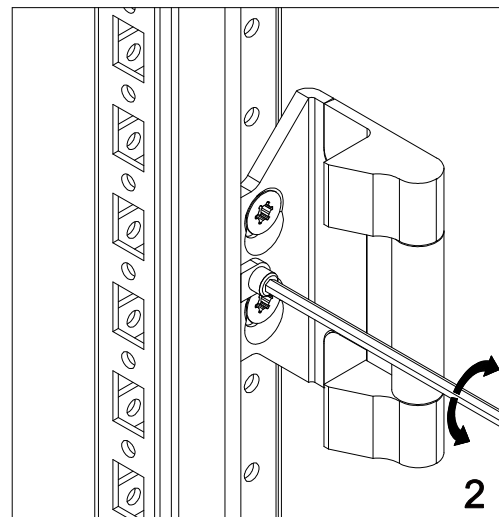
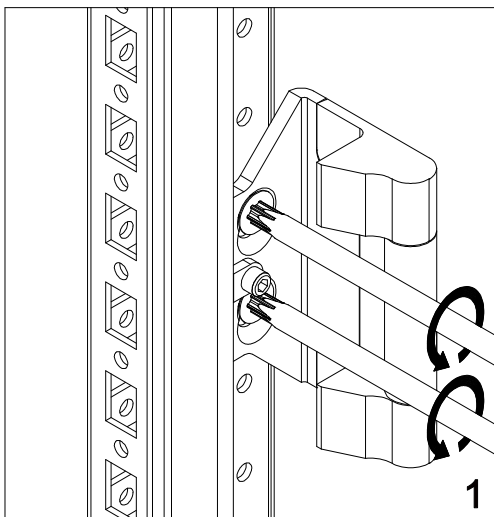
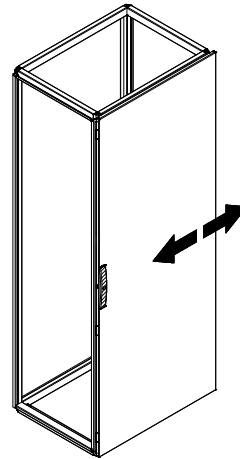
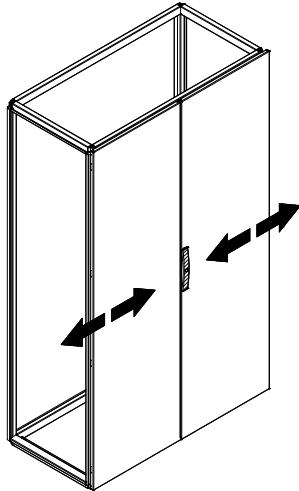
Floor standing enclosures

Combinable and semi-compact version



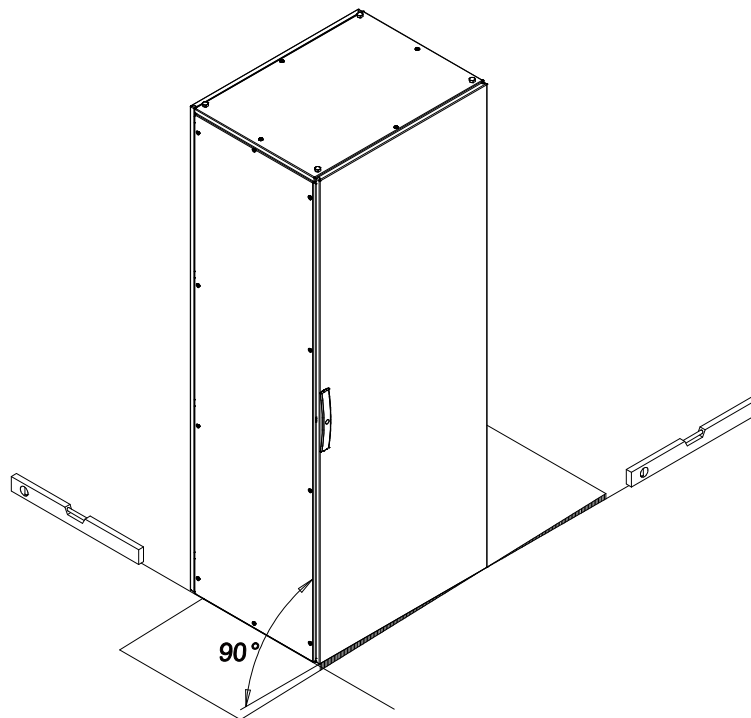
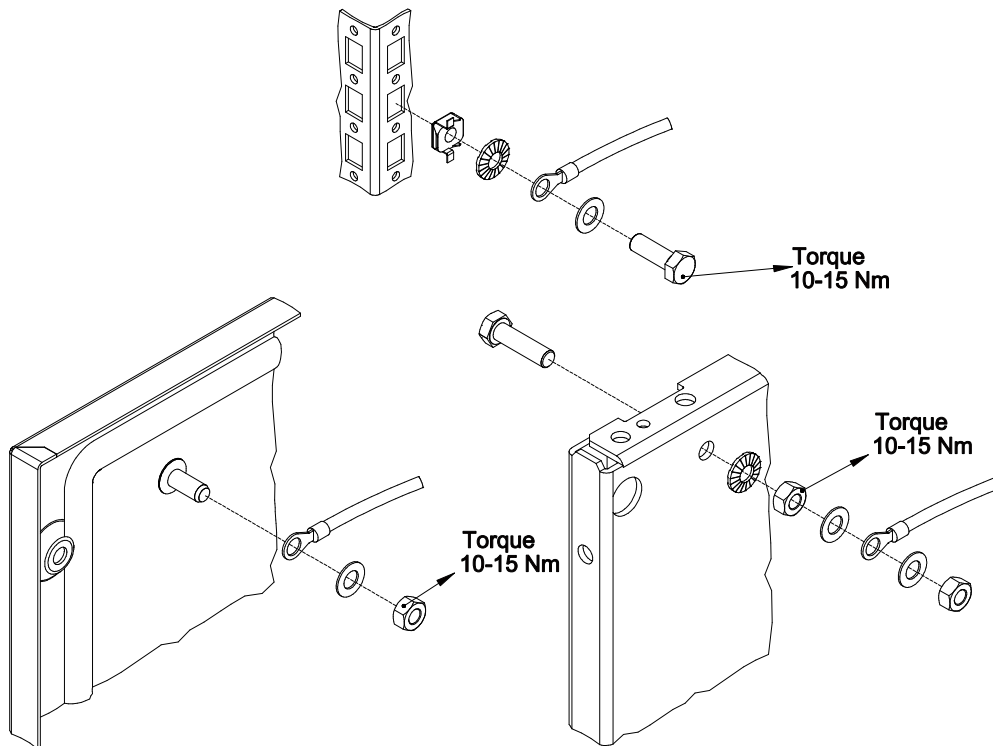
DHN 180

Door adjustment
Türeinstellung



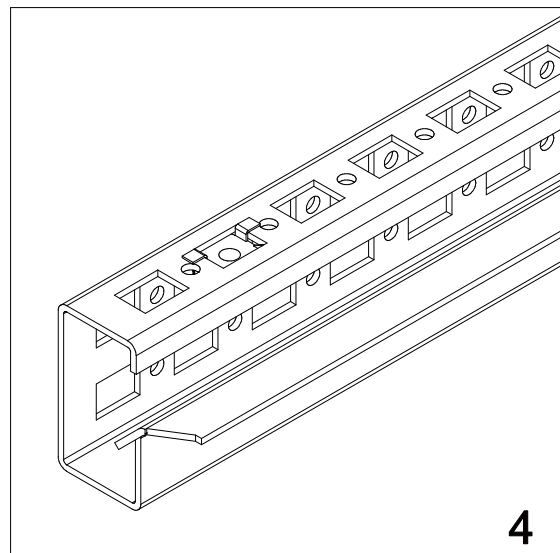
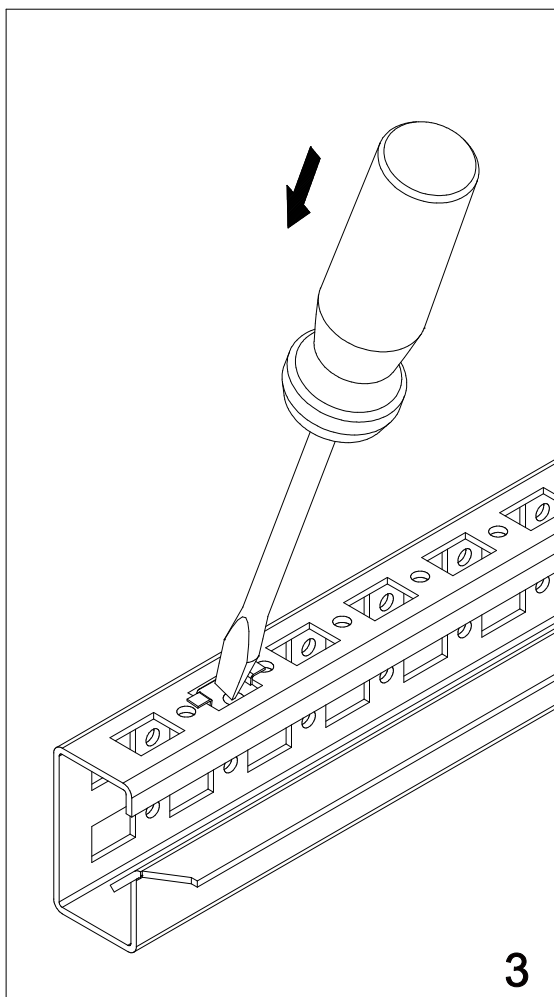
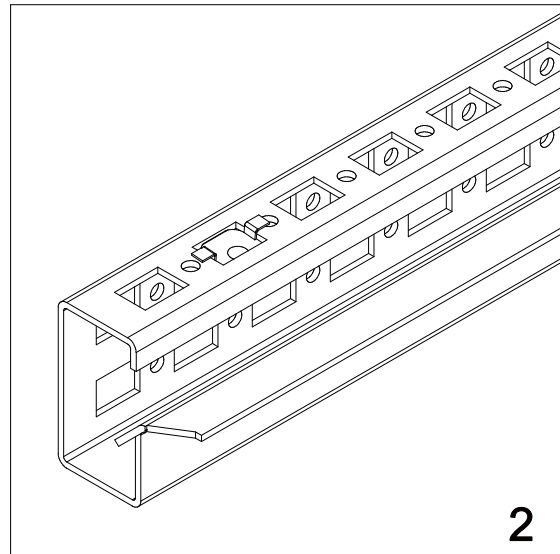
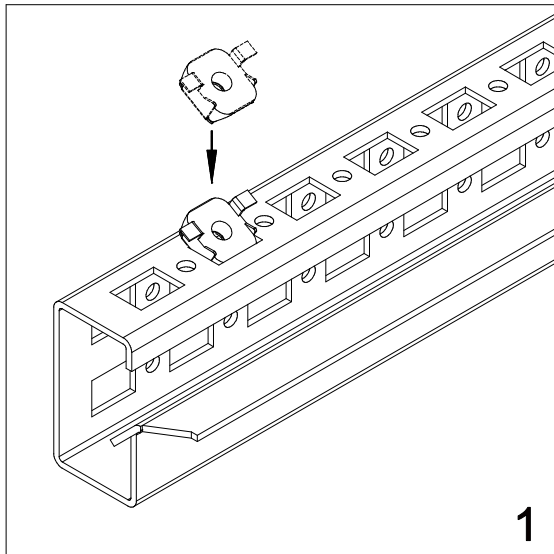
Floor standing enclosures

Combinable and semi-compact version



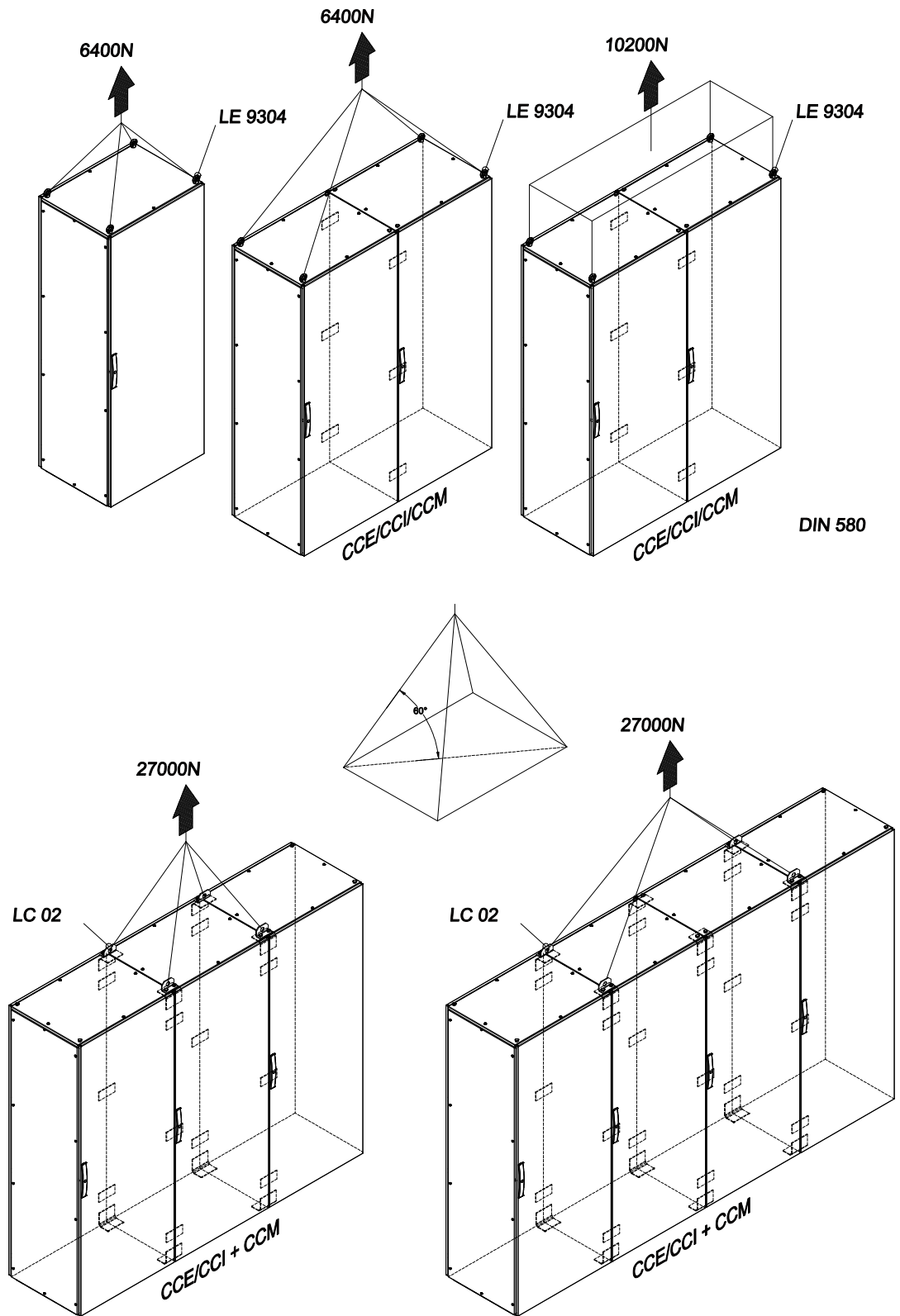
Floor standing enclosures

Combinable and semi-compact version



Floor standing enclosures

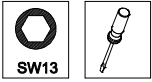
Combinable and semi-compact version



DIN 580

Floor standing enclosures

Combinable and semi-compact version



MCM

Mousepad RH into LH

